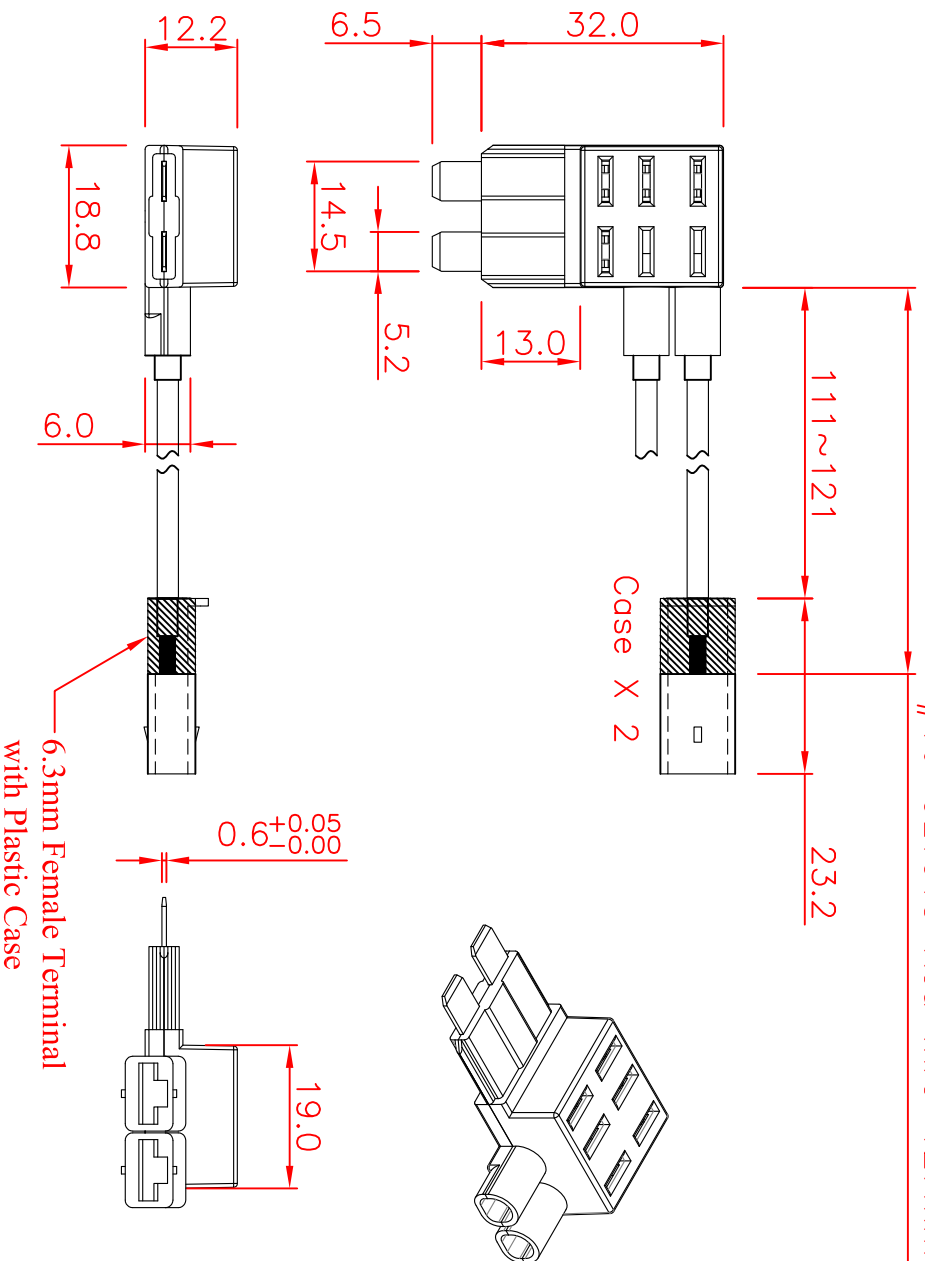


#16-UL1015 Red Wire-127mm(5")



SPECIFICATIONS :

- Suitable Rated Current : Maximum Installation Rating
- Existing Circuit : 30A
- Add-on Circuit : 20A
- Dielectric Strength for 60 seconds : AC1500V Min.
- Insertion & Extraction Force : 1Kg. Min.
- Contact Resistance at 1A DC : 5mΩ Max.
- Insulation Resistance at 500V DC : 100MΩ Min.
- Voltage Drop : 20mV Max.
- Temperature Rise : 50°C Max.
- Molded Parts : Nylon with glassfiber(UL 94V-0), Black
- Terminals : Brass with Tin Plated
- Wire : #16 AWG UL 1015 Red Wire
- **Other color option is available for "Molded Parts" and "Wire"

| | | | |
|---|----------------------|----------------------|-----------------------|
| Tolerances : Unless Otherwise Specified | | | |
| Dimension | Critical To Function | General | |
| < 1 | +/- 0.02 | +/- 0.03 | |
| 1 ~ 8 | +/- 0.1 | +/- 0.2 | |
| 8 ~ 24.995 | +/- 0.15 | +/- 0.25 | |
| 25 ~ 99.99 | +/- 0.2 | +/- 0.3 | |
| Angles | +/- 1° | | |
| Rev | EN | Description | Dwg Ckd Appd Date |
| B | 93092401 | Modify the tolerance | Kao Chyi Ku 2004/9/24 |

| | | | | |
|---|-------|--|-------------------------------|------------|
| Material | Drawn | GLORYTECH TECHNOLOGY CO., LTD. Title: 3 Circuits Blade Fuse | | |
| | Check | | | |
| Finish | Engr | Tap A4 | GTQD-HLD-1829-1922-401 | B |
| | Appd | | | |
| Unless Otherwise Specified Dimensions are mm (inch) | | Scale: 1:1 | Dwg Size Sht 1 of 1 | Rev |
| Tolerances: | | | | |
| .x = 1.0 (.04) | | | | |
| .xx = 0.5 (.02) | | | | |
| .xxx = 0.25 (.010) | | | | |
| Model File Name : 3Circuits Blade Fuse Tap ; #16AWG Drawing File Name : GTQD-HLD-1829-1922-401 | | | | |
| Part Number : 1829 1922 401 | | | Date: | 2017/7/11 |