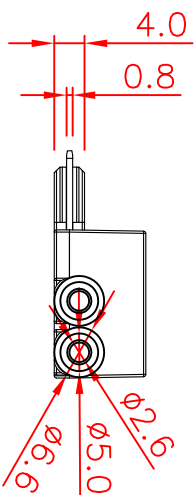
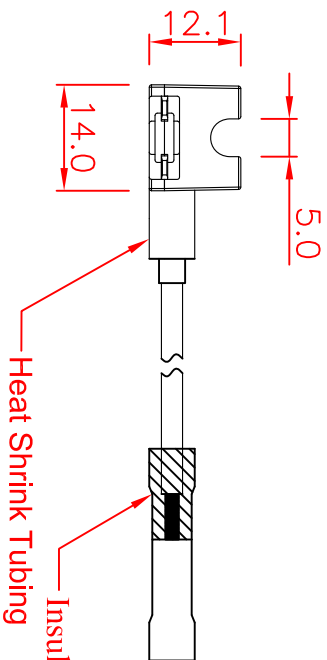
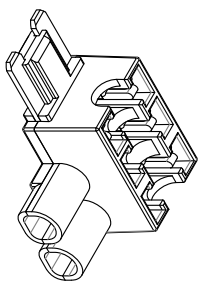
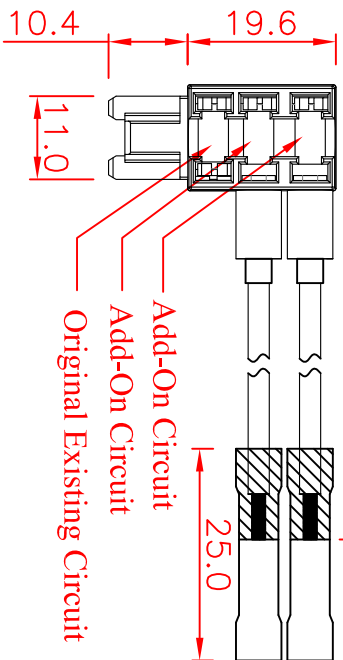


#16-UL1015 Red Wire—1.35mm(5.3")



SPECIFICATIONS :

- Suitable Rated Current : Maximum Installation Rating
- Existing Circuit : 30A
- Add-on Circuit : 20A
- Dielectric Strength for 60 seconds : AC1500V Min.
- Insertion & Extraction Force : 1Kg. Min.
- Contact Resistance at 1A DC : 5mΩ Max.
- Insulation Resistance at 500V DC : 100MΩ Min.
- Voltage Drop : 20mV Max.
- Temperature Rise : 50°C Max.
- Molded Parts : Nylon with Glassfiber(UL 94V-0), Black
- Terminals : Brass with Tin Plated
- Wire : #16 AWG UL 1015 Red Wire, End With Insulated Crimp-Type coupler Blue Butt Connector.
- **Other color option is available for "Molded Parts" and "Wire"

GLORYTECH TECHNOLOGY CO., LTD.

Material	Drawn	
	Check	
Finish	Engr	
	Appd	

Title:
3 Circuits Lp Tap

A4 GTQD-HLD-1829-1121-400

B

Unless Otherwise Specified
Dimensions are mm (inch)
Tolerances:
.x = 1.0 (.04)
.xx = 0.5 (.02)
.xxx = 0.25 (.010)

Scale:	1:1	Dwg Size	Sht	1	of	1	Rev
--------	-----	----------	-----	---	----	---	-----

Model File Name : 3 Circuit LP Tap ; #16AWG

Drawing File Name : GTQD-HLD-1829-1121-400

Part Number : 1829 1121 400

Date: 2017/9/29

Tolerances : Unless Otherwise Specified	
Dimension	Critical To Function
< 1	+/- 0.02
1 ~ 8	+/- 0.1
8 ~ 24.995	+/- 0.15
25 ~ 99.99	+/- 0.2
Angles	+/- 1°

Rev	EN	Description	Dwg	Ckd	Appd	Date
B	93092401	Modify the tolerance	Kao	Chyi	Ku	2004/9/24