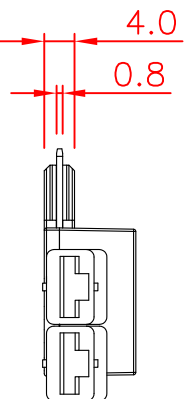
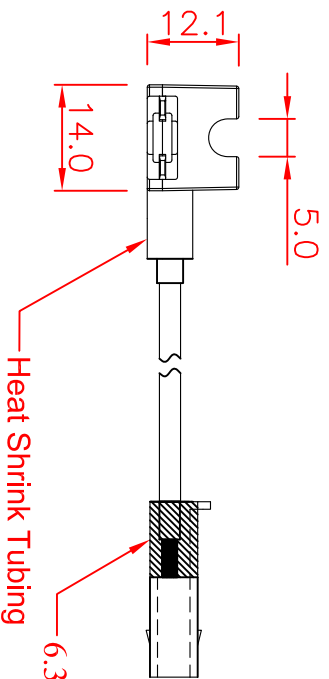
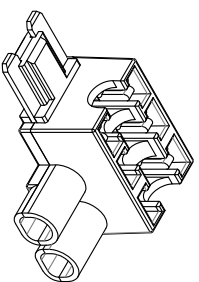
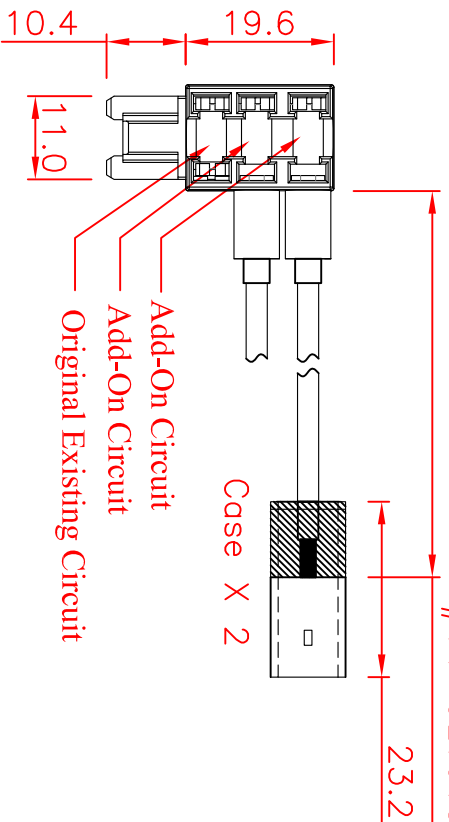


#14-UL1015 Red Wire—135mm(5.3")



Heat Shrink Tubing
6.3mm Female Terminal with Plastic Case

SPECIFICATIONS :

- Suitable Rated Current : Maximum Installation Rating
- Existing Circuit : 30A
- Add-on Circuit : 25A
- Dielectric Strength for 60 seconds : AC1500V Min.
- Insertion & Extraction Force : 1Kg. Min.
- Contact Resistance at 1A DC : 5mΩ Max.
- Insulation Resistance at 500V DC : 100MΩ Min.
- Voltage Drop : 20mV Max.
- Temperature Rise : 50°C Max.
- Molded Parts : Nylon with glassfiber(UL 94V-0), Black
- Terminals : Brass with Tin Plated
- Wire : #14 AWG UL 1015 Red Wire
- **Other color option is available for "Molded Parts" and "Wire"

Tolerances : Unless Otherwise Specified	
Dimension	Critical To Function
< 1	+/-0.02
1 ~ 8	+/-0.1
8 ~ 24.995	+/-0.15
25 ~ 99.99	+/-0.2
Angles	+/-1°
Rev	EN
93092401	Modify the tolerance
	Dwg Kao
	Ckd Chyi
	Appd Ku
	Date 2004/9/24

Material		Drawn		Title:	
Check		Engr		3 Circuits LP Tap	
Appd				A4	
Unless Otherwise Specified		Dimensions are mm (inch)		GTQD-HLD-1829-1120-401	
Tolerances:		Scale:		Dwg Size	
.x = 1.0 (.04)		1:1		Sht 1 of 1	
.xx = 0.5 (.02)				Rev	
.xxx = 0.25 (.010)					
Model File Name : 3 Circuit LP Tap ; #14AWG					
Drawing File Name : GTQD-HLD-1829-1120-401					
Part Number : 1829 1120 401					
Date: 2017/9/29					

GLORYTECH TECHNOLOGY CO., LTD.