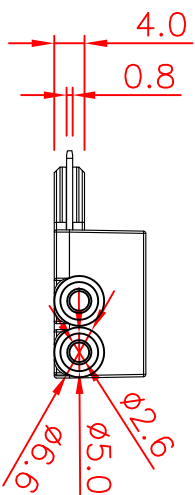
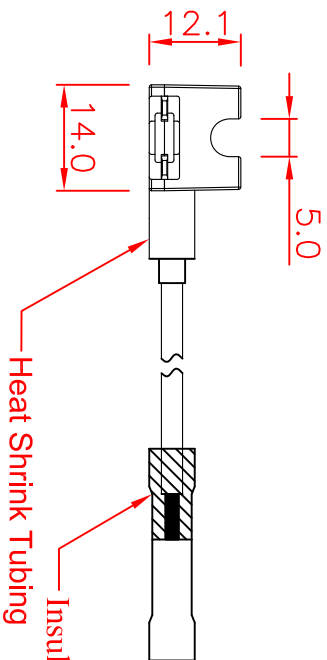
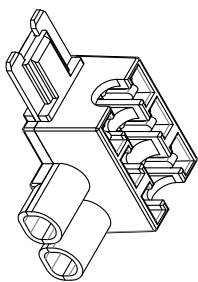
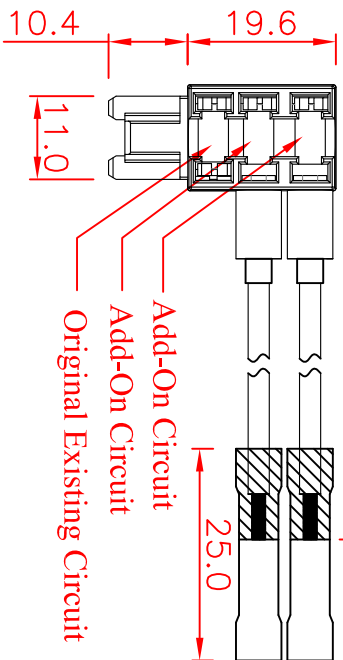


#14--UL1015 Red Wire--1.35mm(5.3")



SPECIFICATIONS :

- Suitable Rated Current : Maximum Installation Rating
- Existing Circuit : 30A
- Add-on Circuit : 25A
- Dielectric Strength for 60 seconds : AC1500V Min.
- Insertion & Extraction Force : 1Kg. Min.
- Contact Resistance at 1A DC : 5mΩ Max.
- Insulation Resistance at 500V DC : 100MΩ Min.
- Voltage Drop : 20mV Max.
- Temperature Rise : 50°C Max.
- Molded Parts : Nylon with Glassfiber(UL 94V-0), Black
- Terminals : Brass with Tin Plated
- Wire : #14 AWG UL 1015 Red Wire, End With Insulated Crimp-Type coupler Blue Butt Connector.
- **Other color option is available for "Molded Parts" and "Wire"

GLORYTECH TECHNOLOGY CO., LTD.

Material	Drawn		Title:	A4	GTQD-HLD-1829-1120-400	B
	Check					
Finish	Engr		3 Circuits Lp Tap			
	Appd					

Unless Otherwise Specified Dimensions are mm (inch)			Scale:	1:1	Dwg Size	Sht	1	of	1	Rev
Tolerances:										
.x = 1.0 (.04)										
.xx = 0.5 (.02)										
.xxx = 0.25 (.010)										

Tolerances : Unless Otherwise Specified			
Dimension	Critical To Function	General	General
< 1	+/- 0.02	+/- 0.03	
1 ~ 8	+/- 0.1	+/- 0.2	
8 ~ 24.995	+/- 0.15	+/- 0.25	
25 ~ 99.99	+/- 0.2	+/- 0.3	
Angles	+/- 1°	+/- 5°	
Rev	EN	Description	Dwg Ckd Appd Date
B	93092401	Modify the tolerance	Kao Chyi Ku 2004/9/24

Model File Name : 3 Circuit LP Tap ; #14AWG	
Drawing File Name : GTQD-HLD-1829-1120-400	
Part Number : 1829 1120 400	Date: 2017/9/29