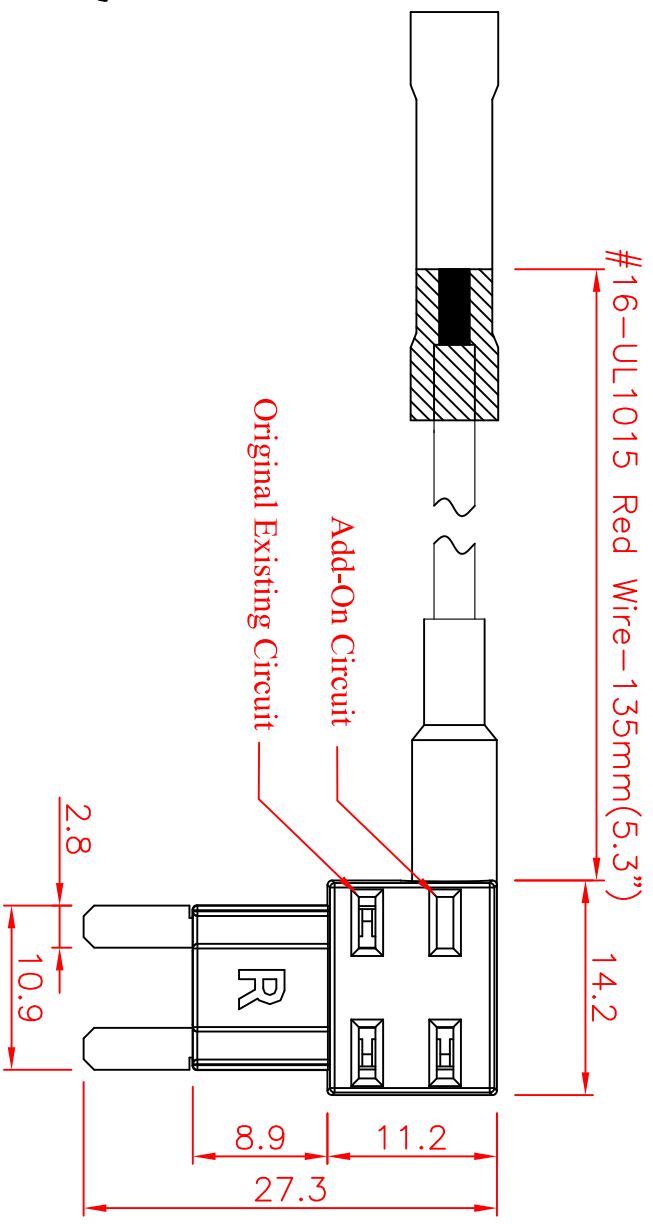
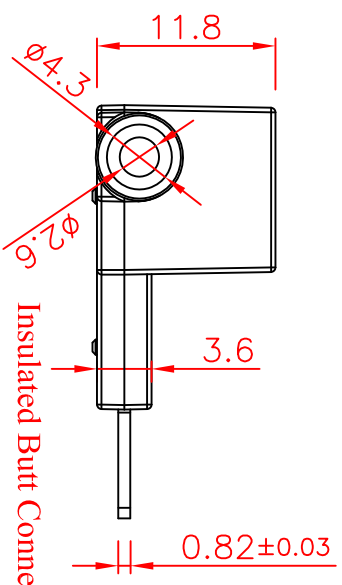


**SPECIFICATIONS :**

- Suitable Rated Current : Maximum Installation Rating
- Existing Circuit : 30A
- Add-on Circuit : 20A
- Dielectric Strength for 60 seconds : AC1500V Min.
- Insertion & Extraction Force : 1Kg. Min.
- Contact Resistance at 1A DC : 5mΩ Max.
- Insulation Resistance at 500V DC : 100MΩ Min.
- Voltage Drop : 20mV Max.
- Temperature Rise : 50°C Max.
- Molded Parts : Nylon PA66 UL 94V-0, Red
- Terminals : Brass with Tin Plated
- Wire : #16 AWG UL 1015 Red Wire, End With Insulated Crimp-Type coupler Blue Butt Connector.
- \*\*Other color option is available for "Molded Parts" and "Wire"



Tolerances : Unless Otherwise Specified		
Dimension	Critical To Function	General
< 1	+/- 0.02	+/- 0.03
1 ~ 8	+/- 0.1	+/- 0.2
8 ~ 24.995	+/- 0.15	+/- 0.25
25 ~ 99.99	+/- 0.2	+/- 0.3
Angles	+/- 1°	+/- 5°

Rev	EN	Description	Dwg	Ckd	Appd	Date
B	93092401	Modify the tolerance	Kao	Chyi	Ku	2004/9/24

<b>Material</b>		<b>Material</b>		<b>Material</b>	
Drawn	Check	Engr	Appd	Title:	
				<b>Mini Blade Fuse Tap (Right Side Insert Fuse)</b>	
Finish				A4	
Unless Otherwise Specified Dimensions are mm (inch)				GTQD-HLD-1829-1109-400	
Tolerances:				Dwg Size	
.x = 1.0 (.04)				Sht 1 of 1	
.xx = 0.5 (.02)				Rev	
.xxx = 0.25 (.010)				Scale: 2:1	
Model File Name : Mini Blade Fuse Tap ; #16AWG ; Right Side Insert					
Drawing File Name : GTQD-HLD-1829-1109-400					
Part Number : 1829 1109 400					
Date: 2015/7/17					

**GLORYTECH TECHNOLOGY CO., LTD.**