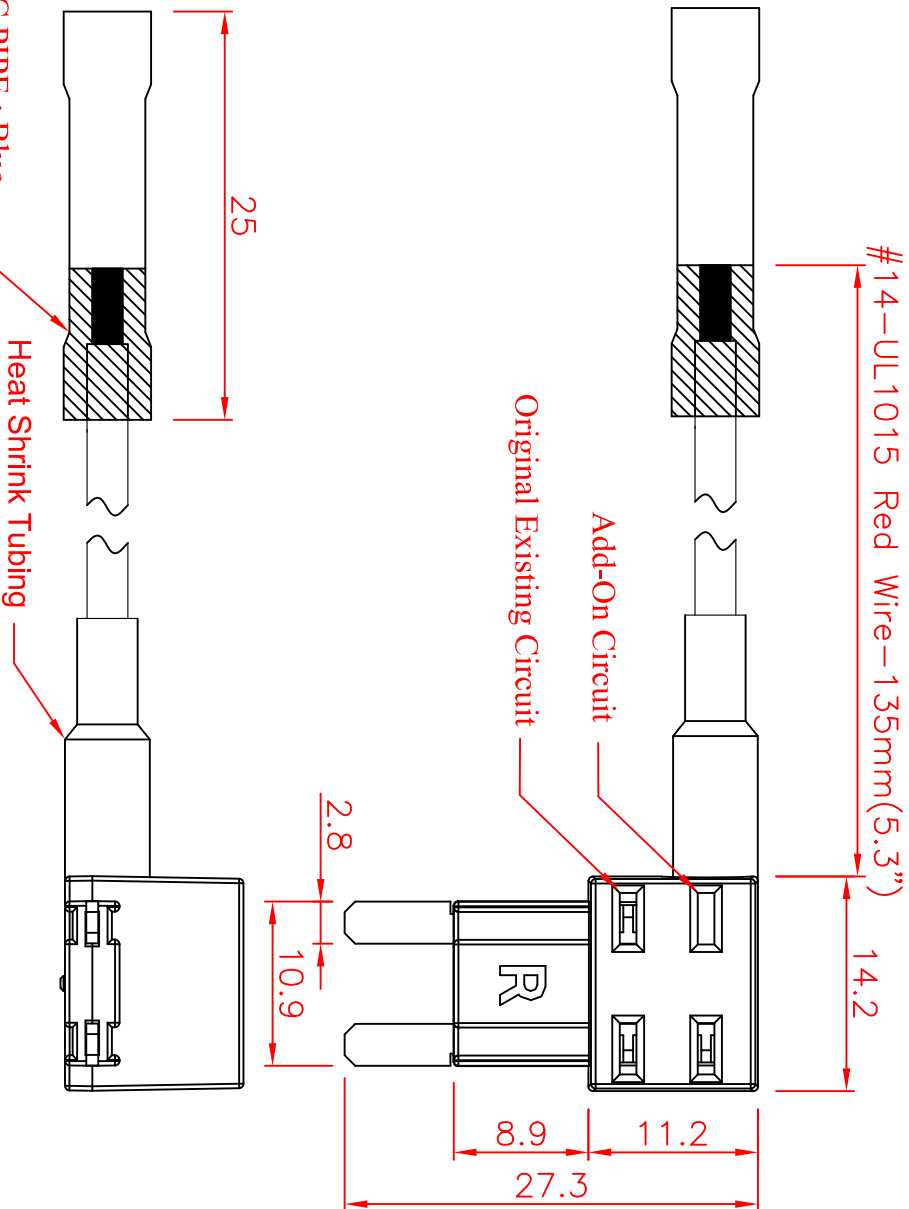
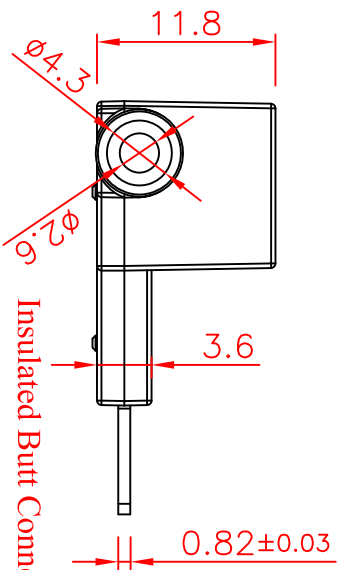


**SPECIFICATIONS :**

- Suitable Rated Current : Maximum Installation Rating
- Existing Circuit : 30A
- Add-on Circuit : 25A
- Dielectric Strength for 60 seconds : AC1500V Min.
- Insertion & Extraction Force : 1Kg. Min.
- Contact Resistance at 1A DC : 5mΩ Max.
- Insulation Resistance at 500V DC : 100MΩ Min.
- Voltage Drop : 20mV Max.
- Temperature Rise : 50°C Max.
- Molded Parts : Nylon PA66 UL 94V-0, Red
- Terminals : Brass with Tin Plated
- Wire : #14 AWG UL 1015 Red Wire, End With Insulated Crimp-Type coupler Blue Butt Connector.
- \*\*Other color option is available for "Molded Parts" and "Wire"



Tolerances : Unless Otherwise Specified				
Dimension	Critical To Function			
< 1	+/- 0.02			
1 ~ 8	+/- 0.1			
8 ~ 24.995	+/- 0.15			
25 ~ 99.99	+/- 0.2			
Angles	+/- 1°			
Rev	EN			
93092401	Modify the tolerance			
	Kao			
	Chyi			
	Ku			
	2004/9/24			
Description	Dwg	Ckd	Appd	Date
Mini Blade Fuse Tap	1829-1108-400	Chyi	Ku	2015/7/17

Material		Finish		Title:		Dwg		Sht		of		Rev	
Drawn	Check	Engr	Appd	Mini Blade Fuse Tap		A4		1		1		1	
Unless Otherwise Specified Dimensions are mm (inch)				(Right Side Insert Fuse)		GTQD-HLD-1829-1108-400		1		1		1	
Tolerances:				Scale:		Dwg Size		Sht		of		Rev	
.x = 1.0 (.04)				2:1		A4		1		1		1	
.xx = 0.5 (.02)													
.xxx = 0.25 (.010)													
Model File Name : Mini Blade Fuse Tap ; #14AWG ; Right Side Insert												Date:	
Drawing File Name : GTQD-HLD-1829-1108-400												2015/7/17	
Part Number : 1829-1108-400													

**GLORYTECH TECHNOLOGY CO., LTD.**