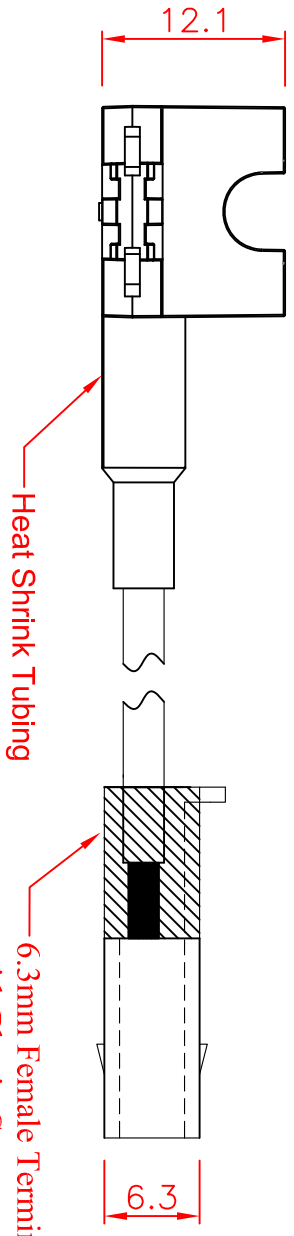
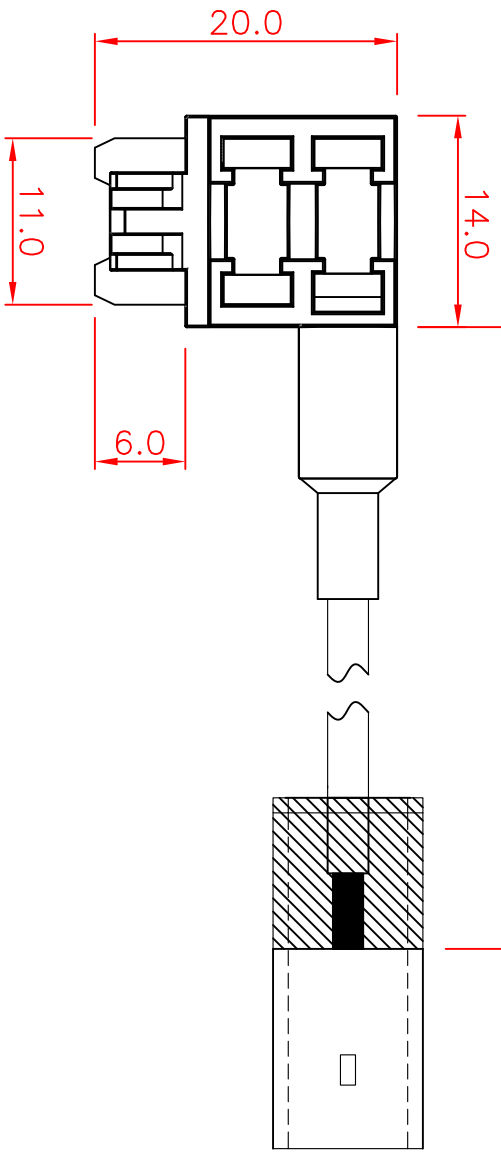
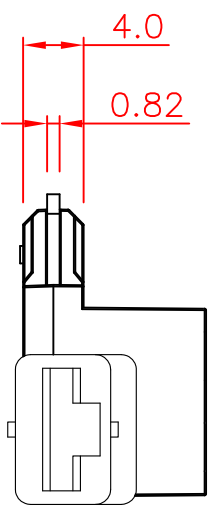


#16-UL1015 Red Wire—135mm(5.3")



Heat Shrink Tubing  
6.3mm Female Terminal with Plastic Case



**SPECIFICATIONS :**

Suitable Rated Current : MAX. installation Rating up to 20A.  
 Dielectric Strength for 60 seconds : AC1500V Min.  
 Insertion & Extraction Force : 1Kg. Min.  
 Contact Resistance at 1A DC : 5mΩ Max.  
 Insulation Resistance at 500V DC : 100MΩ Min.  
 Voltage Drop : 20mV Max.  
 Temperature Rise : 50°C Max.  
 Molded Parts : Nylon UL 94V-0  
 Terminals : Brass with Tin Plated  
 Suitable Wire Gauge : #16 AWG UL 1015

**GLORYTECH TECHNOLOGY CO., LTD.**

Material	Drawn	Title: Fuse Tap	A4	GTQD-HLD-1829-1103-410	B
	Check				
Finish	Engr	Scale: 2:1	Dwg Size	Sht	1 of 1
	Appd				

Unless Otherwise Specified Dimensions are mm (inch)  
 Tolerances:  
 .x = 1.0 (.04)  
 .xx = 0.5 (.02)  
 .xxx = 0.25 (.010)

Tolerances : Unless Otherwise Specified

Dimension	Critical To Function	General
< 1	+/-0.02	+/-0.03
1 ~ 8	+/-0.1	+/-0.2
8 ~ 24.995	+/-0.15	+/-0.25
25 ~ 99.99	+/-0.2	+/-0.3
Angles	+/-1°	+/-5°

Rev	EN	Description	Dwg	Ckd	Appd	Date
B	93092401	Modify the tolerance	Kao	Chyi	Ku	2004/9/24

Model File Name : Fuse Tap for Low Profile Mini Blade Fuse  
 Drawing File Name : GTQD-HLD-1829-1103-410  
 Part Number : 1829 1103 410  
 Date: 2011/12/30