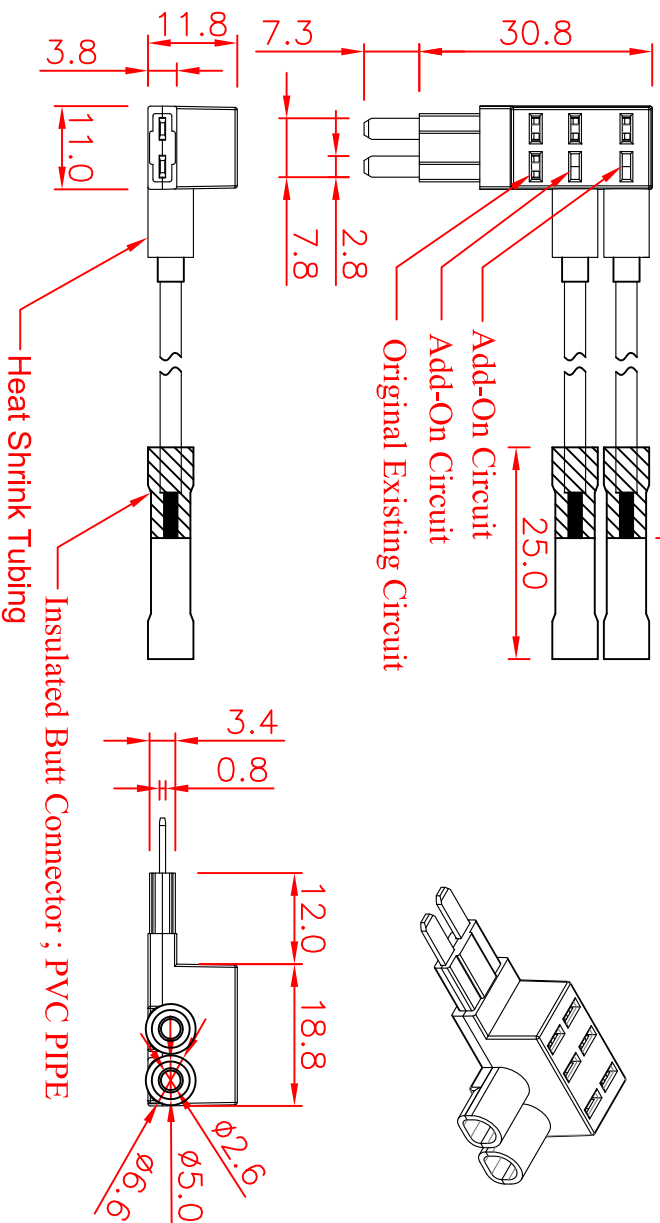


#16-UL1015 Red Wire—135mm(5.3")



SPECIFICATIONS :

- Suitable Rated Current : Maximum Installation Rating
- Existing Circuit : 30A
- Add-on Circuit : 20A
- Dielectric Strength for 60 seconds : AC1500V Min.
- Insertion & Extraction Force : 1Kg. Min.
- Contact Resistance at 1A DC : 5mΩ Max.
- Insulation Resistance at 500V DC : 100MΩ Min.
- Voltage Drop : 20mV Max.
- Temperature Rise : 50°C Max.
- Molded Parts : Nylon with Glassfiber(UL 94V-0), Black
- Terminals : Brass with Tin Plated
- Wire : #16 AWG UL 1015 Red Wire, End With Insulated Crimp-Type coupler Blue Butt Connector.
- **Other color option is available for "Molded Parts" and "Wire"

Tolerances : Unless Otherwise Specified	
Dimension	Critical To Function
< 1	+/-0.02
1 ~ 8	+/-0.1
8 ~ 24.995	+/-0.15
25 ~ 99.99	+/-0.2
Angles	+/-1°
Rev	EN
93092401	Modify the tolerance
	Dwg Kao
	Ckd Chyi
	Appd Ku
	Date 2004/9/24

Material		Drawn		Check	
Finish		Engr		Appd	
Unless Otherwise Specified					
Dimensions are mm (inch)					
Tolerances:					
.x = 1.0 (.04)					
.xx = 0.5 (.02)					
.xxx = 0.25 (.010)					
Model File Name : 3 Circuit Tiny Blade Fuse Tap ; #16AWG		Scale: 1:1		Dwg Size	
Drawing File Name : GTQD-HLD-1829-0908-400		Date:		Sht 1 of 1	
Part Number : 1829 0908 400		Date:		Rev	
		2017/7/12			

GLORYTECH TECHNOLOGY CO., LTD.

Title:		A4		GTQD-HLD-1829-0908-400		B	
3 Circuits Tiny Blade Fuse Tap							