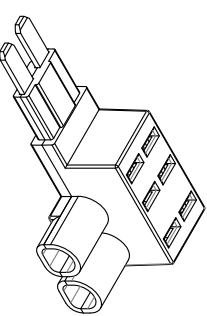
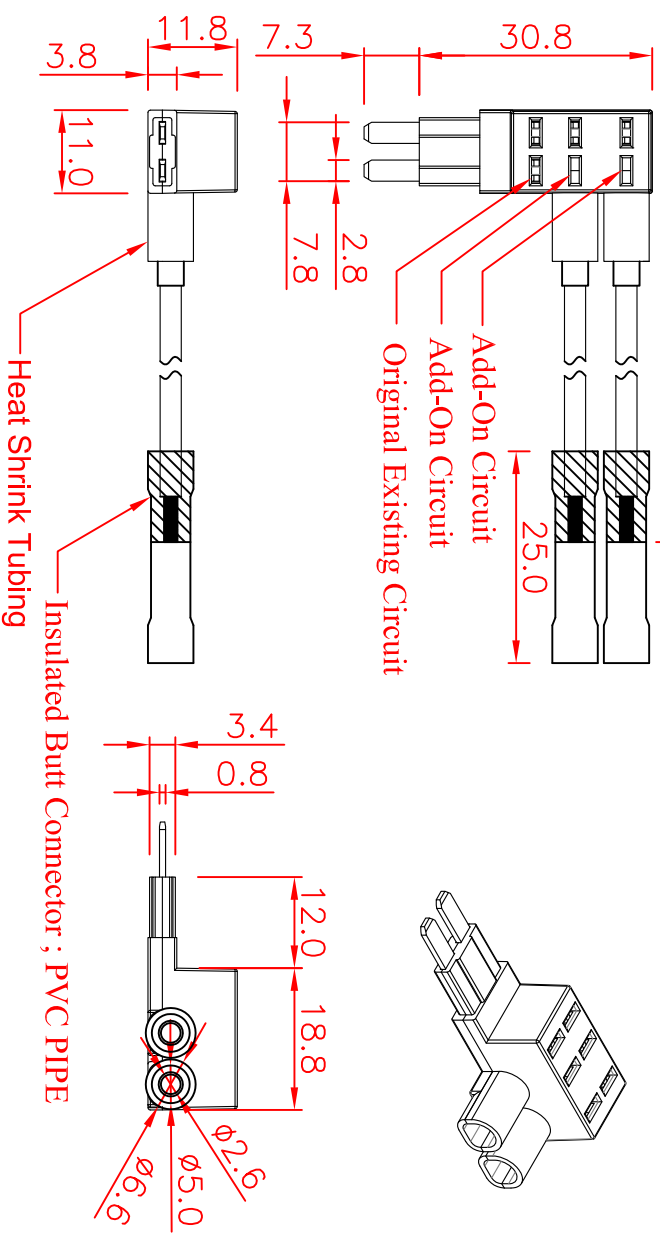


#14-UL1015 Red Wire—135mm(5.3")



SPECIFICATIONS :

- Suitable Rated Current : Maximum Installation Rating
- Existing Circuit : 30A
- Add-on Circuit : 25A
- Dielectric Strength for 60 seconds : AC1500V Min.
- Insertion & Extraction Force : 1Kg. Min.
- Contact Resistance at 1A DC : 5mΩ Max.
- Insulation Resistance at 500V DC : 100MΩ Min.
- Voltage Drop : 20mV Max.
- Temperature Rise : 50°C Max.
- Molded Parts : Nylon with Glassfiber(UL 94V-0), Black
- Terminals : Brass with Tin Plated
- Wire : #14 AWG UL 1015 Red Wire, End With Insulated Crimp-Type coupler Blue Butt Connector.
- **Other color option is available for "Molded Parts" and "Wire"

GLORYTECH TECHNOLOGY CO., LTD.

Tolerances : Unless Otherwise Specified	
Dimension	Critical To Function
< 1	+/-0.02
1 ~ 8	+/-0.1
8 ~ 24.995	+/-0.15
25 ~ 99.99	+/-0.2
Angles	+/-1°
Rev	EN
93092401	Modify the tolerance
	Dwg Kao
	Ckd Chyi
	Appd Ku
	Date 2004/9/24

Material	Drawn	Title: 3 Circuits Tiny Blade Fuse Tap		Dwg Size	Sht	1	of	1	Rev
	Check								
Finish	Engr	A4		GTQD-HLD-1829-0907-400	B				
	Appd								
Unless Otherwise Specified Dimensions are mm (inch)									
Tolerances:									
.x = 1.0 (.04)									
.xx = 0.5 (.02)									
.xxx = 0.25 (.010)									
Model File Name : 3 Circuit Tiny Blade Fuse Tap ; #14AWG		Scale: 1:1		Date: 2017/7/12					
Drawing File Name : GTQD-HLD-1829-0907-400									
Part Number : 1829 0907 400									