

SPECIFICATIONS :

Suitable Rated Current : 30A Max.
 Housing : PA66 UL94-V0 , Black
 Cover : PA66 UL94-V0 , Black
 Seal : Silicone Rubber
 Wire : 10/12/14//16/18/20 AWG , UL1015
 IP Rating : 67
 * Fuse not included

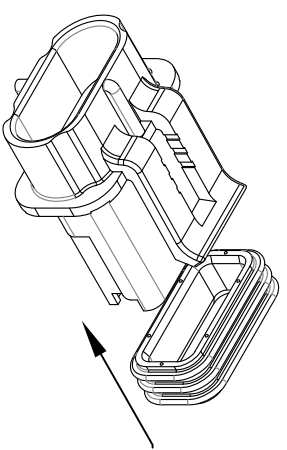
Order Information:

Part No.	Wire Size (AWG)
18271907410	10
18271907412	12
18271907414	14
18271907416	16
18271907418	18
18271907420	20

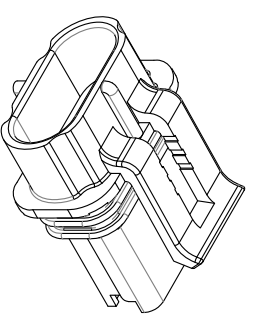
Tolerances : Unless Otherwise Specified			
Dimension	Critical To Function	General	
< 1	+/- 0.02	+/- 0.03	
1 ~ 8	+/- 0.1	+/- 0.2	
8 ~ 24.995	+/- 0.15	+/- 0.25	
25 ~ 99.99	+/- 0.2	+/- 0.3	
Angles	+/- 1°	+/- 5°	
Rev	EN	Description	Dwg Ckd Appd Date
B	93092401	Modify the tolerance	Kao Chyi Ku 2004/9/24

Material	Drawn	GLORYTECH TECHNOLOGY CO., LTD. Title: In-Line Fuse Holder		
	Check			
Finish	Engr	Unless Otherwise Specified Dimensions are mm (inch) Tolerances: .x = 1.0 (.04) .xxx = 0.5 (.02) .xxx = 0.25 (.010)	Scale: 1:1	Dwg Size
	Appd			
Model File Name : In-Line Fuse Holder for Blade Fuses ; Waterproof Drawing File Name : GTQD-HLD-1827-1907 Part Number : 1827 1907 4XX				
			Date:	2016/12/28

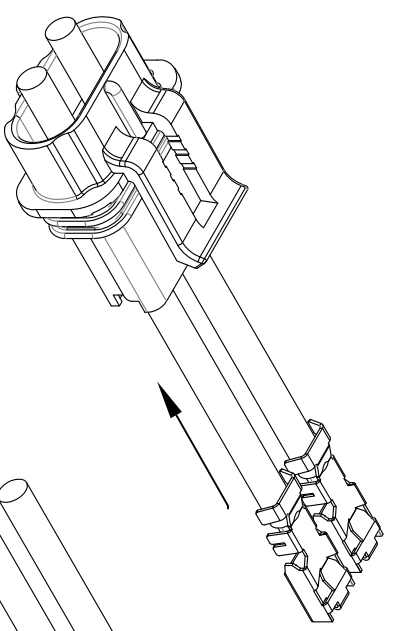
step 1



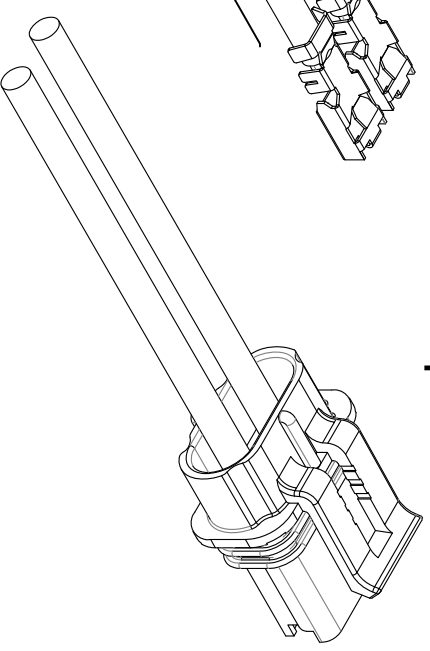
step 2



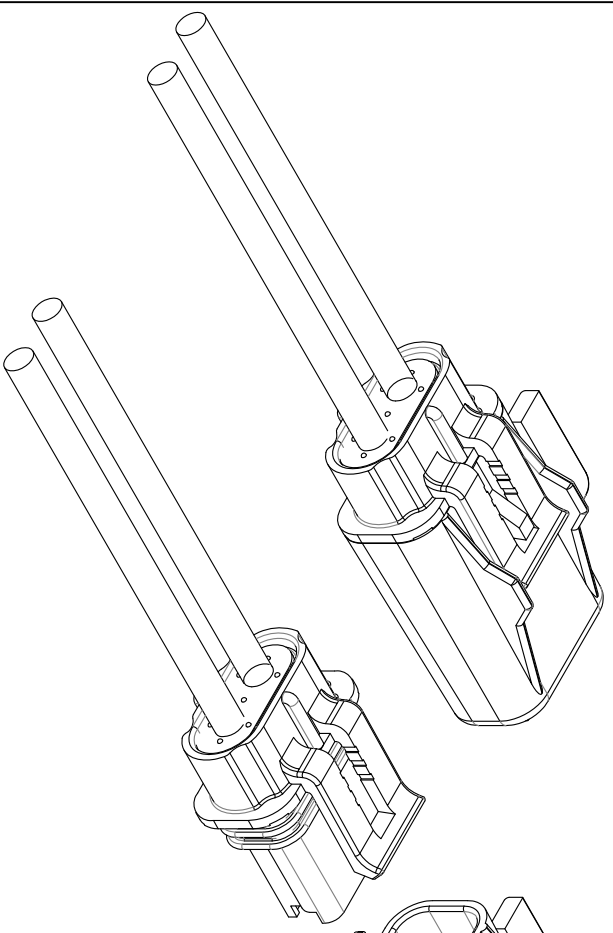
step 3



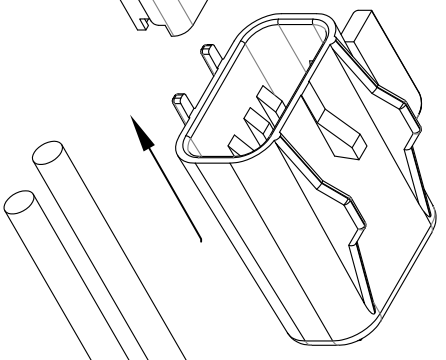
step 4



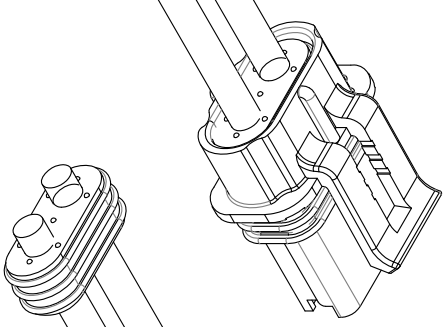
step 8



step 7



step 6



step 5

