

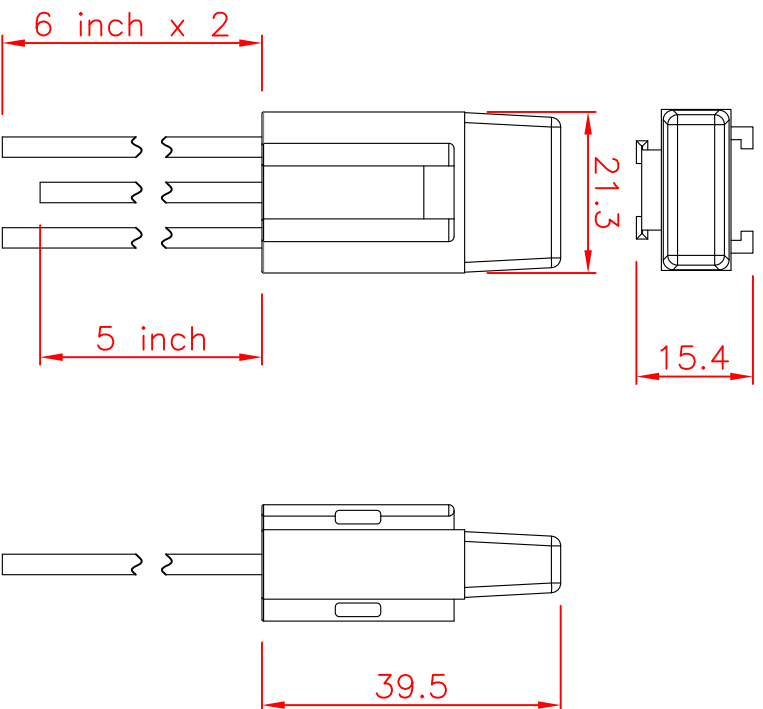
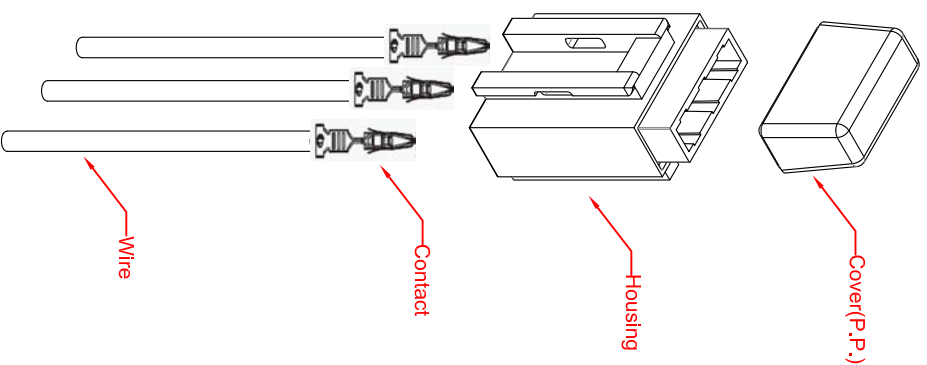
SPECIFICATIONS :

- Suitable Rated Current : 20A Max.
- Dielectric Strength for 60 seconds : AC1500V Min.
- Insertion & Extraction Force : 1Kg. Min.
- Contact Resistance at 1A DC : 5mΩ Max.
- Insulation Resistance at 500V DC : 100MΩ Min.
- Voltage Drop : 20mV Max.
- Temperature Rise : 50°C
- Molded Parts : Nylon with Glass Fiber
- Wire Length : UL1015
 - Center : 5inch
 - Side : 6inch
- Contact : Brass, Junior Power Timer
- Interlock Type For Multiple Mounting
- IP Rating : 63

Order Information :

Part No.	Wire Size(AWG)	
	Center	Side
1827 1401 412	12	14
1827 1401 414	14	16

Option : Wire Length



Tolerances : Unless Otherwise Specified			
Dimension	Critical To Function	General	
< 1	+/- 0.02	+/- 0.03	
1 ~ 8	+/- 0.1	+/- 0.2	
8 ~ 24.995	+/- 0.15	+/- 0.25	
25 ~ 99.99	+/- 0.2	+/- 0.3	
Angles	+/- 1°	+/- 5°	
Rev	EN	Description	Dwg Ckd Appd Date
B	93092401	Modify the tolerance	Kao Chyi Ku 2004/9/24

Material	Drawn	Title:	A4	GTQD-HLD-1827-1401	B
	Check				
Finish	Engr	In-Line Fuse Holder			
	Appd				
Unless Otherwise Specified Dimensions are mm (inch)					
Tolerances:					
.x = 1.0 (.04)					
.xx = 0.5 (.02)					
.xxx = 0.25 (.010)					
Scale:		1:1	Dwg Size	Sht	1 of 1
Model File Name : Fuse Holder for Micro 3 Fuses					
Drawing File Name : GTQD-HLD-1827-1401					
Part Number : 1827 1401 4xx		Date:	2017/1/13		

GLORYTECH TECHNOLOGY CO., LTD.