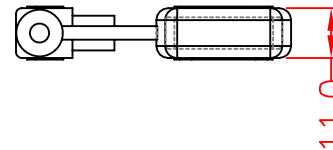
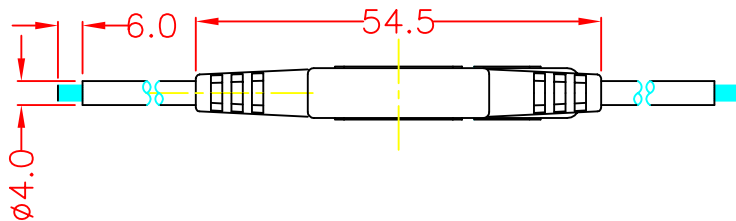
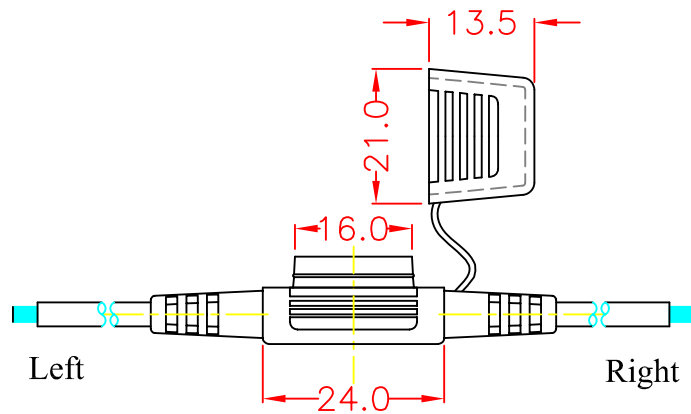


Order Information:

Part No.	Wire (AWG)	Wire Length(mm)		Color
		Left	Right	
18221101400	12	152	152	Red
18221101418	18	1020	310	Black



SPECIFICATIONS:

Suitable Rated Current : 30A Max.
 Dielectric Strength for 60 Seconds : AC 1000V Min
 Insertion & Extraction Force : 1kg. Min
 Contact Resistance at 1A DC : 5mΩ Max.
 Insulation Resistance at 500V DC : 100MΩ Min.
 Voltage Drop : 20mV Max.
 Temperature Rise : 50°C Max.
 Wire : UL 1015
 Type : Water Resistant Type
 Molded Parts : P.V.C.
 Terminals : Brass

Tolerances : Unless Otherwise Specified		
Dimension	Critical To Function	General
< 1	+/- 0.02	+/- 0.03
1 ~ 8	+/- 0.1	+/- 0.2
8 ~ 24.995	+/- 0.15	+/- 0.25
25 ~ 99.99	+/- 0.2	+/- 0.3
Angles	+/- 1°	+/- 5°

Rev	EN	Description	Dwg	Ckd	Appd	Date
B	93092401	Modify the tolerance	Kao	Chyi	Ku	2004/9/24

Material		Drawn	GLORYTECH TECHNOLOGY CO., LTD.			
Finish		Check	Title:		A4	B
		Engr	In-Line Fuse Holder		GTQD-HLD-1822-1101	Rev
		Appd	Scale:	1:1		
Unless Otherwise Specified Dimensions are mm (inch) Tolerances: .x = 1.0 (.04) .xx = 0.5 (.02) .xxx = 0.25 (.010)			Dwg Size	Sht 1 of 1		
Model File Name : In-Line Fuse Holder for Mini Blade Type Fuses						
Drawing File Name : GTQD-HLD-1822-1101						
Part Number : 1822 1101 4**					Date:	2004/9/24