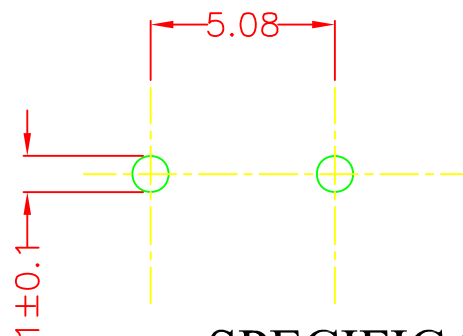
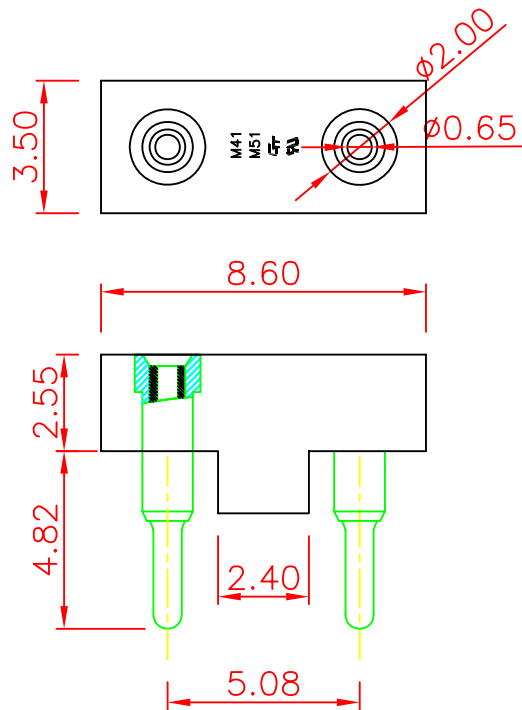


MOUNTING HOLES



SPECIFICATIONS:

Suitable Rated Current 250V : 1.6W/6.3A Max.

Contact Resistance at 1A DC : 5mΩ Max.

Insertion & Extraction Force : 1Kg. Min. / 0.6Kg. Max.

Molded Parts : Thermoplastic, 94V0

Terminals : Copper Alloy, Solderable, Tinned

Approval : UL Recognized E256971

Soldering Heat Resistance : 280°C 10sec. Max.(Wave)

Tolerances : Unless Otherwise Specified		
Dimension	Critical To Function	General
< 1	+/- 0.02	+/- 0.03
1 ~ 8	+/- 0.1	+/- 0.2
8 ~ 24.995	+/- 0.15	+/- 0.25
25 ~ 99.99	+/- 0.2	+/- 0.3
Angles	+/- 1°	+/- 5°

Rev	EN	Description	Dwg	Ckd	Appd	Date
B	93092401	Modify the tolerance	Kao	Chyi	Ku	2004/9/24
C	99091301	圖面修改	Kao	Chyi	Ku	2010/9/13

Material		Drawn	GLORYTECH TECHNOLOGY CO., LTD.			
Finish		Check	Title:		A4	C
		Engr	Micro Fuse Holder		GTQD-HLD-1816-0804	
		Appd	Scale: 5:1		Dwg Size	Sht 1 of 1
Unless Otherwise Specified Dimensions are mm (inch) Tolerances: .x = 1.0 (.04) .xx = 0.5 (.02) .xxx = 0.25 (.010)		Model File Name : Micro Fuse Holder-PCB Type (M41)		Date: 2010/9/13		Rev
		Drawing File Name : GTQD-HLD-1816-0804				
		Part Number : 1816 0804 400				