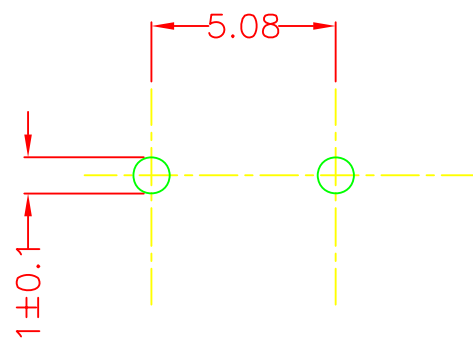
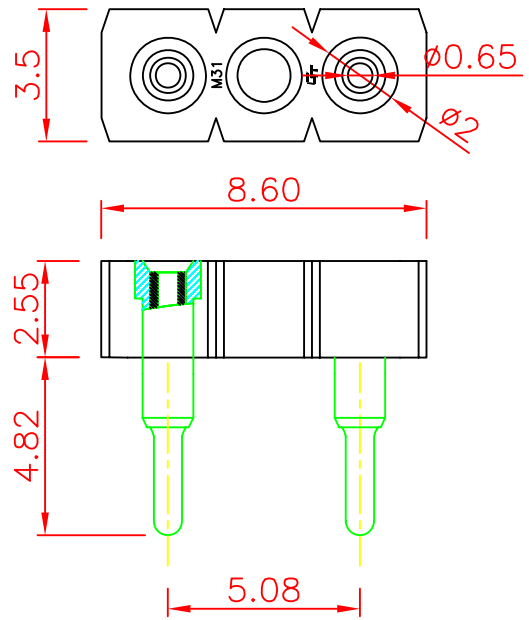


MOUNTING HOLES



SPECIFICATIONS:

- Suitable Rated Current 250V : 1.6W/6.3A Max.
- Contact Resistance at 1A DC : 5mΩ Max.
- Insertion & Extraction Force : 1Kg. Min. / 0.6Kg. Max.
- Molded Parts : Thermoplastic, 94V0
- Terminals : Copper Alloy, Solderable, Tinned
- Approval : UL Recongized E256971
- Soldering Heat Resistance : 280°C 10sec. Max.(Wave)

Tolerances : Unless Otherwise Specified		
Dimension	Critical To Function	General
< 1	+/- 0.02	+/- 0.03
1 ~ 8	+/- 0.1	+/- 0.2
8 ~ 24.995	+/- 0.15	+/- 0.25
25 ~ 99.99	+/- 0.2	+/- 0.3
Angles	+/- 1°	+/- 5°

Rev	EN	Description	Dwg	Ckd	Appd	Date
B	93092401	Modify the tolerance	Kao	Chyi	Ku	2004/9/24
C	99091302	圖面修改	Kao	Chyi	Ku	2010/9/13

Material		GLORYTECH TECHNOLOGY CO., LTD.				
Drawn	Check	Title: Micro Fuse Holder		A4	GTQD-HLD-1816-0803	C
Finish	Engr					
Unless Otherwise Specified Dimensions are mm (inch) Tolerances: .x = 1.0 (.04) .xx = 0.5 (.02) .xxx = 0.25 (.010)		Appd	Scale: 5:1	Dwg Size	Sht 1 of 1	Rev
Model File Name : Micro Fuse Holder-PCB Type (M31)						
Drawing File Name : GTQD-HLD-1816-0803						
Part Number : 1816 0803 400				Date:	2010/9/13	