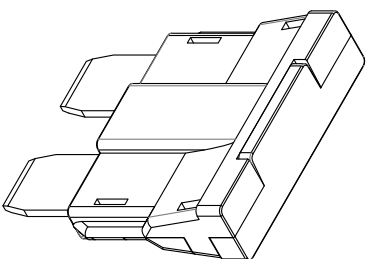
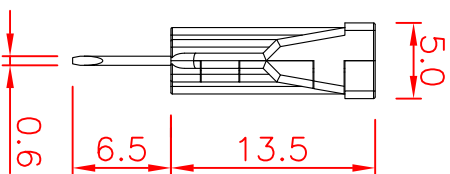
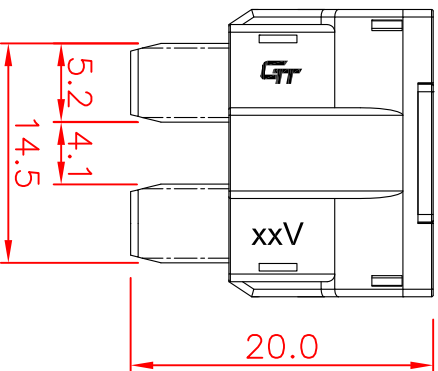


Rating In OCR FONT



Specifications :

Body Material : Nylon 66 with 30% Fiber Glass(UL94V-0)
 Metal Material : Copper Alloy, gal. Sn
 Element : Zinc, Silver Alloy
 Interruption Ratings : 1000A 58/80VDC
Order Information:

Part No.	Ampere(A)	Voltage(VDC)	Body color
1589 0500 2xx	0.5	58 / 80	D-Blue
1589 1100 2xx	1	58 / 80	Black
1589 1200 2xx	2	58 / 80	Grey
1589 1300 2xx	3	58 / 80	Violet
1589 1400 2xx	4	58 / 80	Pink
1589 1500 2xx	5	58 / 80	Tan
1589 1750 2xx	7.5	58 / 80	Brown
1589 2100 2xx	10	58 / 80	Red
1589 2120 2xx	12	58 / 80	L-Pink
1589 2150 2xx	15	58 / 80	Blue
1589 2200 2xx	20	58 / 80	Yellow
1589 2250 2xx	25	58 / 80	Natural
1589 2300 2xx	30	58 / 80	Green
1589 2350 2xx	35	58 / 80	Blue Green
1589 2400 2xx	40	58 / 80	Orange

xx : Voltage

Opening Time / Pre-arcing Time:

In	1.1 In		2.0 In		3.5 In		6.0 In	
	Min.	Max.	Min.	Max.	Min.	Max.	Min.	Max.
0.5 ~ 40A	0.75s	1800s	0.15s	5s	0.04s	0.5s	0.02s	0.1s

Tolerances : Unless Otherwise Specified						
Dimension	Critical To Function	General				
< 1	+/- 0.02	+/- 0.03				
1 ~ 8	+/- 0.1	+/- 0.2				
8 ~ 24.995	+/- 0.15	+/- 0.25				
25 ~ 99.99	+/- 0.2	+/- 0.3				
Angles	+/- 1°	+/- 5°				
Rev	EN	Description	Dwg Ckd	Appd	Date	
B	93092401	Modify the tolerance	Kao	Chyi	Ku	2004/9/24

Material	Drawn	Title:	Dwg Size	Sht	1 of 1	Rev
	Check					
Finish	Engr	GLORYTECH TECHNOLOGY CO., LTD.	A4	1	of	1
	Appd					
Unless Otherwise Specified Dimensions are mm (inch)		58/80V Blade Type Automotive Fuse Ignition Protected(GP)				B
Tolerances:						
.x = 1.0 (.04)		Scale: 2:1				
.xx = 0.5 (.02)						
.xxx = 0.25 (.010)						
Model File Name : 58/80V Blade Type Automotive Fuse						
Drawing File Name : GTQD-FUS-1589						
Part Number : 1589 xxxx 2xx						Date: 2016/10/12