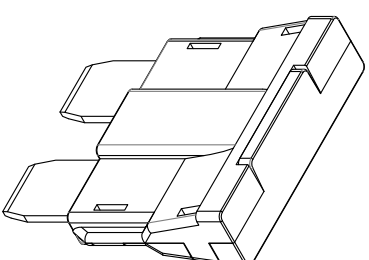
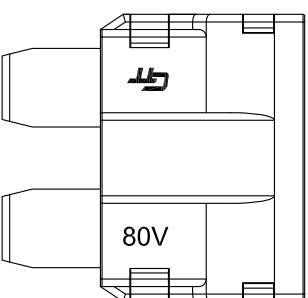
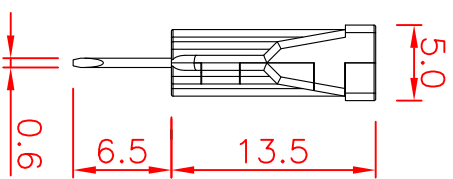
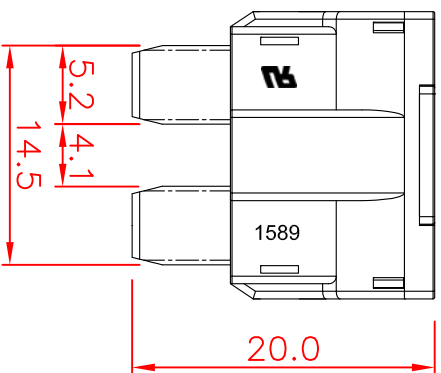


Rating In OCR FONT



Order Information:

Part No.	Ampere(A)	Body color
1589 0500 280	0.5	Dark Blue
1589 1100 280	1	Black
1589 1200 280	2	Grey
1589 1300 280	3	Violet
1589 1400 280	4	Pink
1589 1500 280	5	Tan
1589 1600 280	6	Light Red
1589 1700 280	7	Light Orange
1589 1750 280	7.5	Brown
1589 1800 280	8	Light Yellow
1589 2100 280	10	Red
1589 2120 280	12	Light Pink
1589 2150 280	15	Blue
1589 2160 280	16	Light Green
1589 2200 280	20	Yellow
1589 2250 280	25	Natural
1589 2300 280	30	Green
1589 2350 280	35	Blue Green
1589 2400 280	40	Orange

Electrical Characteristics: UL248-1, SAE

% of Rated Current	Opening Time	
	0.5 ~ 30A	35 ~ 40A
100%	---	carry
110%	carry	---
135%	0.75 ~ 3600s	
200%	0.15 ~ 60s	
350%	0.04 ~ 1s	
600%	0.01 ~ 0.1s	

Specifications :

Body Material : PET
 Terminal Material : Copper Alloy, Tin Plated
 Standard : UL248 Special Purpose Fuse
 Approval File No. E498356-JFHR2/8
 Interruption Ratings : DC 80V1000A

Dimension	Tolerances : Unless Otherwise Specified	Critical To Function	General
< 1		+/- 0.02	+/- 0.03
1 ~ 8		+/- 0.1	+/- 0.2
8 ~ 24.995		+/- 0.15	+/- 0.25
25 ~ 99.99		+/- 0.2	+/- 0.3
Angles		+/- 1°	+/- 5°

Rev	EN	Description	Dwg	Ckd	Appd	Date
B	93092401	Modify the tolerance	Kao	Chyi	Ku	2004/9/24
C	107092601	UL認證通過改版	Kao	Chyi	Ku	2018/9/26

GLORYTECH TECHNOLOGY CO., LTD.

Title:
Blade Type Fuse
GTQD-FUS

A4 GTQD-FUS-1589-80V

C

Unless Otherwise Specified
 Dimensions are mm (inch)
 Tolerances:
 .x = 1.0 (.04)
 .xx = 0.5 (.02)
 .xxx = 0.25 (.010)

Scale:

Dwg Size Sht 1 of 1 Rev

Model File Name : Blade Type Fuse ; 80VDC ; UL Recognized

Drawing File Name : GTQD-FUS-1589-80V

Part Number : 1589 xxxx 280

Date: 2018/9/27