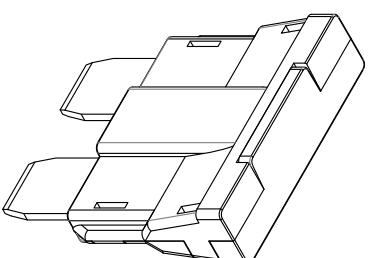
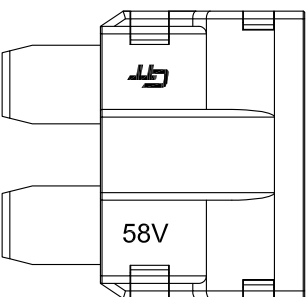
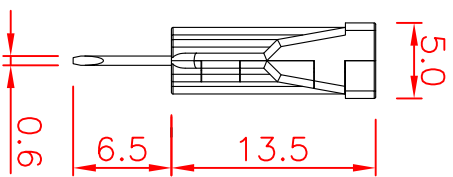
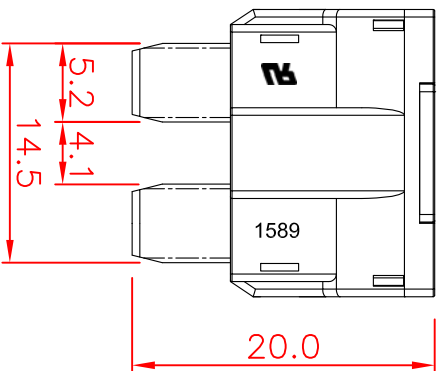


Rating In OCR FONT



**Order Information:**

Part No.	Amperre(A)	Body color
1589 0500 258	0.5	Dark Blue
1589 1100 258	1	Black
1589 1200 258	2	Grey
1589 1300 258	3	Violet
1589 1400 258	4	Pink
1589 1500 258	5	Tan
1589 1600 258	6	Light Red
1589 1700 258	7	Light Orange
1589 1750 258	7.5	Brown
1589 1800 258	8	Light Yellow
1589 2100 258	10	Red
1589 2120 258	12	Light Pink
1589 2150 258	15	Blue
1589 2160 258	16	Light Green
1589 2200 258	20	Yellow
1589 2250 258	25	Natural
1589 2300 258	30	Green
1589 2350 258	35	Blue Green
1589 2400 258	40	Orange

**Electrical Characteristics: UL248-1, SAE**

% of Rated Current	Opening Time	
	0.5 ~ 30A	35 ~ 40A
100%	---	carry
110%	carry	---
135%	0.75 ~ 3600s	
200%	0.15 ~ 60s	
350%	0.04 ~ 1s	
600%	0.01 ~ 0.1s	

**Specifications :**

Body Material : PET  
 Terminal Material : Copper Alloy, Tin Plated  
 Standard : UL248 Special Purpose Fuse  
 Approval File No. E498356-JFHR2/8  
 Interruption Ratings : DC 58V1000A

Tolerances :	Unless Otherwise Specified
Dimension	Critical To Function
< 1	+/- 0.02
1 ~ 7.9999	+/- 0.1
8 ~ 24.9995	+/- 0.15
25 ~ 99.99	+/- 0.2
Angles	+/- 1°

Rev	EN	Description	Dwg	Ckd	Appd	Date
B	93092401	Modify the tolerance	Kao	Chyi	Ku	2004/9/24
C	107092601	UL認證通過改版	Kao	Chyi	Ku	2018/9/26

**GLORYTECH TECHNOLOGY CO., LTD.**

Title:  
Blade Type Fuse  
**GTQD-FUS**

**A4**      **GTQD-FUS-1589-58V**      **C**

Unless Otherwise Specified  
 Dimensions are mm (inch)  
 Tolerances:  
 .x = 1.0 (.04)  
 .xx = 0.5 (.02)  
 .xxx = 0.25 (.010)

Scale: 2:1      Dwg Size      Sht 1 of 1      Rev

Model File Name : Blade Type Fuse ; 58VDC ; UL Recognized  
 Drawing File Name : GTQD-FUS-1589-58V  
 Part Number : 1589 xxxx 258      Date: 2018/9/27