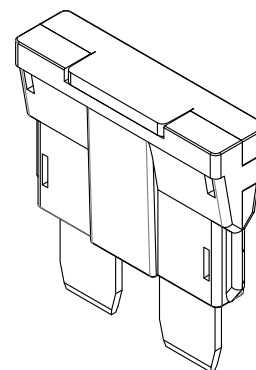
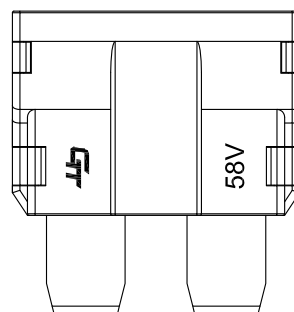
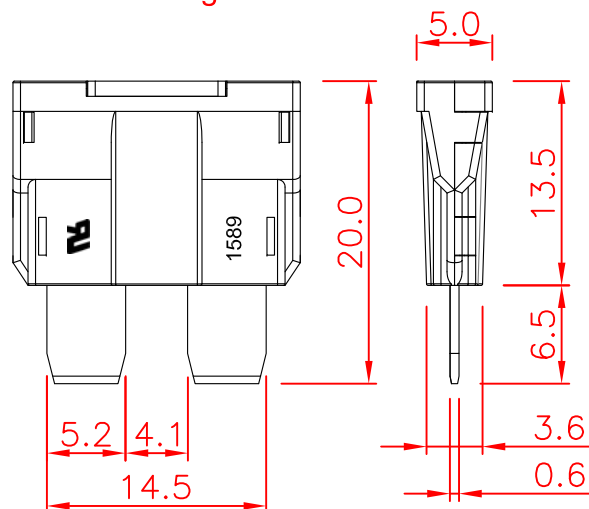


Rating In OCR FONT



Specifications :

Body Material : Thermoplastic(UL94 V0)
 Element : Tin Plated Alloy Wire
 Terminal Material : Copper Alloy, Tin Plated
 Complies with : UL248 Special Purpose Fuse
 SAE J1284
 SAE J2576
 ISO 8820-3

UL Approval File No. E498356-JFHR2/8
 Interruption Ratings : DC58V 1000A

Electrical Characteristics:

% of Rated Current	Opening Time	
	0.5 ~ 30A	35 ~ 40A
100%	---	carry
110%	carry	---
135%	0.75 ~ 3600s	
200%	0.15 ~ 60s	
350%	0.04 ~ 1s	
600%	0.01 ~ 0.1s	


Order Information:

Part No.	Ampere(A)	Body color	Cold Resistance (mΩ)
1589 0500 258 C	0.5	Dark Blue	290
1589 1100 258 C	1	Black	95
1589 1200 258 C	2	Grey	43
1589 1300 258 C	3	Violet	26
1589 1400 258 C	4	Pink	19
1589 1500 258 C	5	Tan	14.2
1589 1600 258 C	6	Light Red	12.5
1589 1700 258 C	7	Light Orange	10.5
1589 1750 258 C	7.5	Brown	9.2
1589 1800 258 C	8	Light Yellow	8.5
1589 2100 258 C	10	Red	6.15
1589 2120 258 C	12	Light Pink	5.1
1589 2150 258 C	15	Blue	3.45
1589 2160 258 C	16	Light Green	3
1589 2200 258 C	20	Yellow	2.5
1589 2250 258 C	25	Natural	1.75
1589 2300 258 C	30	Green	1.25
1589 2350 258 C	35	Blue Green	1.1
1589 2400 258 C	40	Orange	0.9

Tolerances : Unless Otherwise Specified

Dimension	Critical To Function	General
< 1	+/- 0.02	+/- 0.03
1 ~ 7.999	+/- 0.1	+/- 0.2
8 ~ 24.995	+/- 0.15	+/- 0.25
25 ~ 99.99	+/- 0.2	+/- 0.3
Angles	+/- 1°	+/- 5°

Rev	EN	Description	Dwg	Ckd	Appd	Date
B	93092401	Modify the tolerance	Kao	Chyi	Ku	2004/9/24
C	107092601	UL認證通過改版	Kao	Chyi	Ku	2018/9/26

Material	Drawn	GLORYTECH TECHNOLOGY CO., LTD.				
	Check					
Finish	Engr	Title: Blade Type Fuse	A4	GTQD-FUS-1589-58V-C2	C2	
	Appd					
Unless Otherwise Specified Dimensions are mm (inch) Tolerances: .x = 1.0 (.04) .xx = 0.5 (.02) .xxx = 0.25 (.010)			Scale: 2:1	Dwg Size	Sht 1 of 1	Rev
Model File Name : Blade Type Fuse ; 58VDC ; UL Recognized						
Drawing File Name : GTQD-FUS-1589-58V-C2						
Part Number : 1589 xxxx 258 C			Date: 2021/11/10			