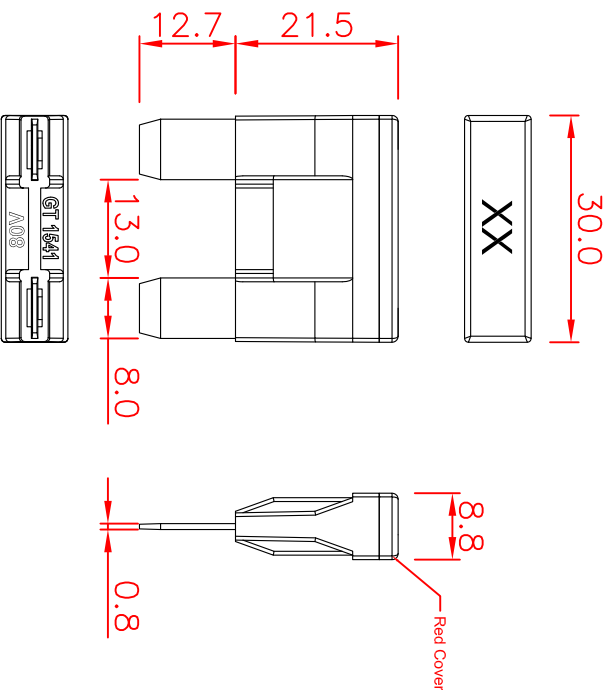


### Order Information:

Part Number	Ampere Rating	Voltage Rating	Body Color
1541 2200 208	20A	80V	Yellow
1541 2250 208	25A		Gray
1541 2300 208	30A		Green
1541 2350 208	35A		Brown
1541 2400 208	40A		Orange
1541 2500 208	50A		Red
1541 2600 208	60A		Blue
1541 2700 208	70A		Tan
1541 2800 208	80A		Natural
1541 3100 208	100A		Violet



### Specifications:

Body Material : Nylon (PA66) with 25% Fiber Glass  
 Cover : Polycarbonate (PC), UL94V-0  
 Metal Material : Copper Alloy, gal. Sn  
 Element : Zinc, Sn Plated  
 Interruption Ratings : 1000A 80VDC

### Opening Time / Pre-arcing Time:

In	1.0In		1.35In		2.0 In		3.5 In		6.0 In	
	Min.	Max.	Min.	Max.	Min.	Max.	Min.	Max.	Min.	Max.
20 ~ 80A	100h	60s	3600s	2s	60s	0.2s	7s	0.04s	1s	
100A	100h	-	-	2s	60s	0.2s	7s	0.04s	1s	

Tolerances : Unless Otherwise Specified			
Dimension	Critical To Function	General	
< 1	+/- 0.02	+/- 0.03	
1 ~ 8	+/- 0.1	+/- 0.2	
8 ~ 24.995	+/- 0.15	+/- 0.25	
25 ~ 99.99	+/- 0.2	+/- 0.3	
Angles	+/- 1°	+/- 5°	
Rev	EN	Description	Dwg Ckd Appd Date
B	93092401	Modify the tolerance	Kao Chyi Ku 2004/9/24

Material				Finish				Title:			
Drawn	Check	Engr	Appd	80V Max Blade Type				Automotive Fuse			
				A4				GTQD-FUS-1541-80V			
GLORYTECH TECHNOLOGY CO., LTD.				A4				GTQD-FUS-1541-80V			
Unless Otherwise Specified Dimensions are mm (inch)				A4				GTQD-FUS-1541-80V			
Tolerances:				A4				GTQD-FUS-1541-80V			
.x = 1.0 (.04)				A4				GTQD-FUS-1541-80V			
.xx = 0.5 (.02)				A4				GTQD-FUS-1541-80V			
.xxx = 0.25 (.010)				A4				GTQD-FUS-1541-80V			
Model File Name : 80V Max Blade Type Automotive Fuse				A4				GTQD-FUS-1541-80V			
Drawing File Name : GTQD-FUS-1541-80V				A4				GTQD-FUS-1541-80V			
Part Number : 1541 xxxx 208				A4				GTQD-FUS-1541-80V			
Date:				A4				GTQD-FUS-1541-80V			
2016/1/22				A4				GTQD-FUS-1541-80V			