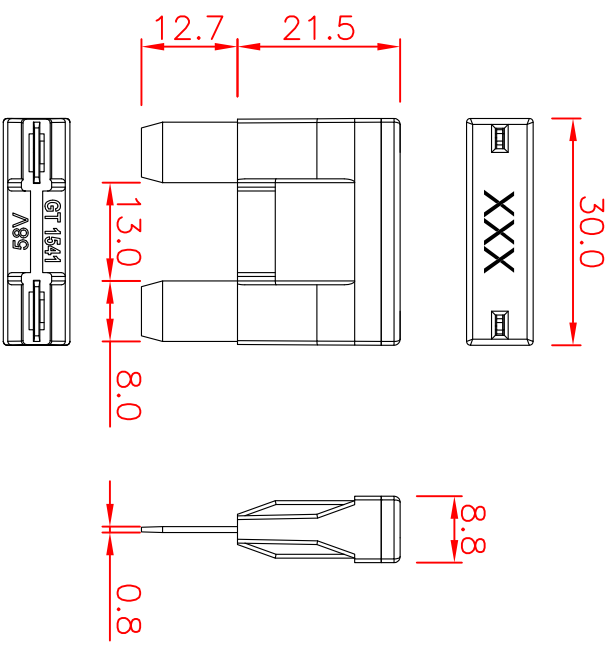


Order Information:

Part Number	Ampere Rating	Voltage Rating	Body Color
1541 2200 200	20A	58V	Yellow
1541 2250 200	25A		Gray
1541 2300 200	30A		Green
1541 2350 200	35A		Brown
1541 2400 200	40A		Orange
1541 2500 200	50A		Red
1541 2600 200	60A		Blue
1541 2700 200	70A		Tan
1541 2800 200	80A		Natural
1541 3100 200	100A		Violet



Specifications :

Body Material : Nylon (PA66) with 25% Fiber Glass
 Cover : Polycarbonate (PC), UL94V-0
 Metal Material : Copper Alloy, gal. Sn
 Element : Zinc, Sn Plated
 Interruption Ratings : 1000A 58VDC

Opening Time / Pre-arcing Time:

In	1.0In		1.35In		2.0 In		3.5 In		6.0 In	
	Min.	Max.	Min.	Max.	Min.	Max.	Min.	Max.	Min.	Max.
20 ~ 80A	100h	60s	3600s	2s	60s	0.2s	7s	0.04s	1s	
100A	100h	-	-	2s	60s	0.2s	7s	0.04s	1s	

Tolerances : Unless Otherwise Specified						
Dimension	Critical To Function	General				
< 1	+/- 0.02	+/- 0.03				
1 ~ 8	+/- 0.1	+/- 0.2				
8 ~ 24.995	+/- 0.15	+/- 0.25				
25 ~ 99.99	+/- 0.2	+/- 0.3				
Angles	+/- 1°	+/- 5°				
Rev	EN	Description	Dwg Ckd	Appd	Date	
B	93092401	Modify the tolerance	Kao	Chyi	Ku	2004/9/24

GLORYTECH TECHNOLOGY CO., LTD.					
Material	Drawn	Title:	Scale:	Dwg Size	Rev
	Check				
Finish	Engr	58V Max Blade Type Automotive Fuse	1:1	A4	GTQD-FUS-1541
	Appd				
Unless Otherwise Specified Dimensions are mm (inch)					
Tolerances:					
.x = 1.0 (.04)					
.xx = 0.5 (.02)					
.xxx = 0.25 (.010)					
Model File Name : 58V Max Blade Type Automotive Fuse					
Drawing File Name : GTQD-FUS-1541					
Part Number : 1541 xxxx 200					
				Date:	2011/7/11