

The 1460 fuse is a cartridge style fuse up to 40A with female terminals for 2.8 mm male terminals. The 1460S fuse is available in amperages up to 60A and can mate with larger male terminals (e.g., 6.3mm) or even mount directly to onto a busbar.

SPECIFICATIONS :

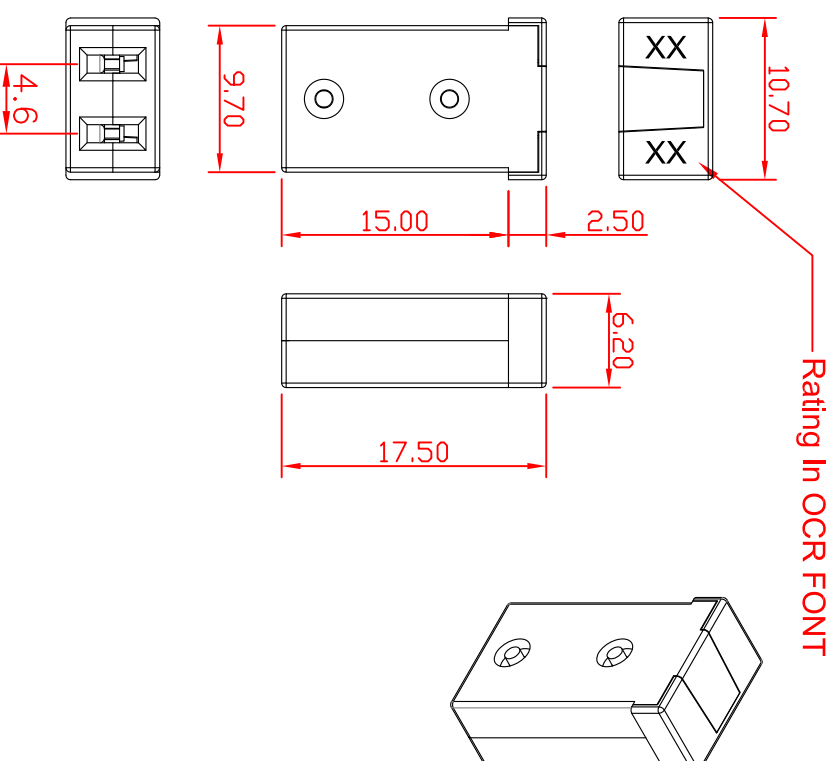
- Voltage Rating : 58VDC
- Interrupting Rating : 1000A 58VDC
- Operating Temperature Range : -40 ~ +125°C
- Housing Material: PA66+GF
- Cover Material : PA66
- Insertion Force : 45N Max.
- Extraction Force : 4N Min. / 35N Max.

Opening Time / Pre-arcing Time:

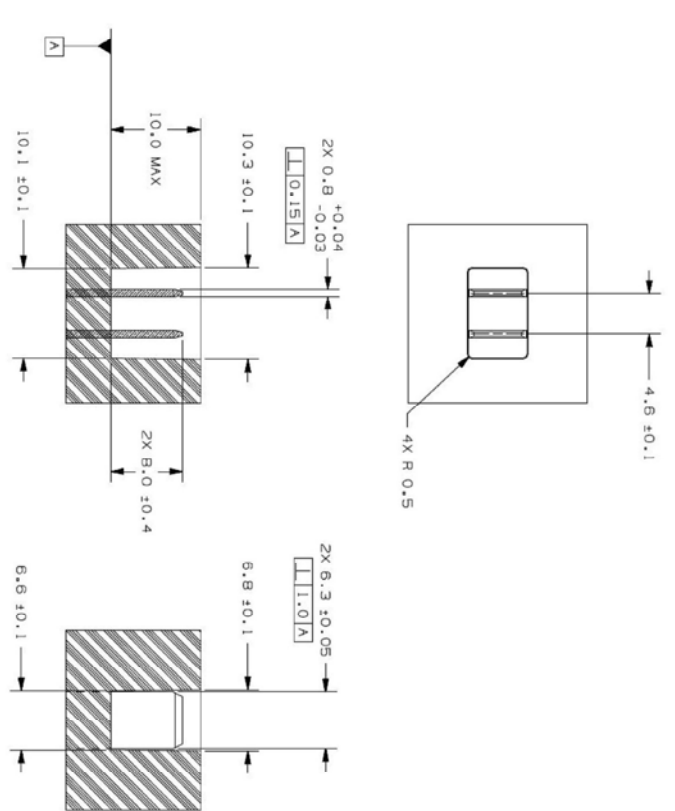
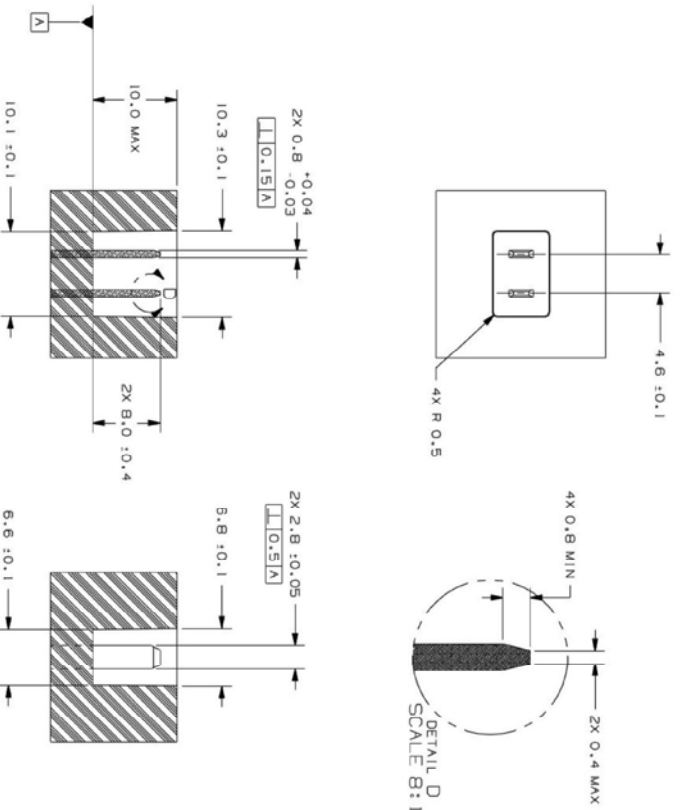
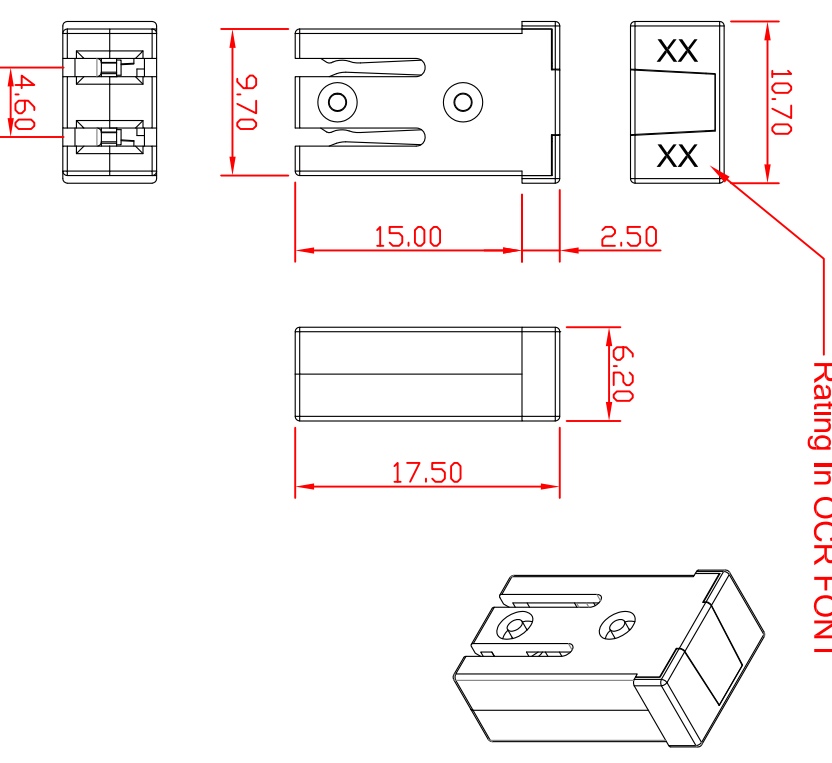
% of Rated Current	Opening Time
110%	> 4 hr
135%	60 ~ 1800 s
200%	2 ~ 60 s
350%	0.2 ~ 7 s
600%	0.04 ~ 1 s

Part No.	Fuse Type	Current Rating (A)	Body color
1460 2150	Normal	15	Grey
1460 2200		20	Blue
1460 2250		25	White(Ivory white)
1460 2300		30	Pink
1460 2400		40	Green
1460S 2150	Slotted	15	Grey
1460S 2200		20	Blue
1460S 2250		25	White(Ivory white)
1460S 2300		30	Pink
1460S 2400		40	Green
1460S 2500		50	Red
1460S 2600		60	Yellow

1460 - Normal Type



1460S - Slotted Type



Tolerances : Unless Otherwise Specified		Critical To Function		General	
Dimension	< 1		+/- 0.02		+/- 0.03
	1 ~ 8		+/- 0.1		+/- 0.2
	8 ~ 24.995		+/- 0.15		+/- 0.25
	25 ~ 99.99		+/- 0.2		+/- 0.3
Angles			+/- 1°		+/- 5°

Rev	EN	Description	Dwg	Ckd	Appd	Date
B	93092401	Modify the tolerance	Kao	Chyi	Ku	2004/9/24

Material		Finish		Title:	
Drawn	Check	Engr	Appd	MCASE Cartridge Fuse	
Unless Otherwise Specified Dimensions are mm (inch)				A3 GTAD-FUS-1460	
Tolerances:				Scale:	
x = 1.0 (.04)				Dwg Size	
.xx = 0.5 (.02)				Sht 1 of 1	
xxx = 0.25 (.010)				Rev	
Model File Name : MCASE Cartridge Fuse					
Drawing File Name : GTAD-FUS-1460					
Part Number : 1460 xxxx / 1460S xxxx					
Date: 2019/11/20					

GLORYTECH TECHNOLOGY CO., LTD.