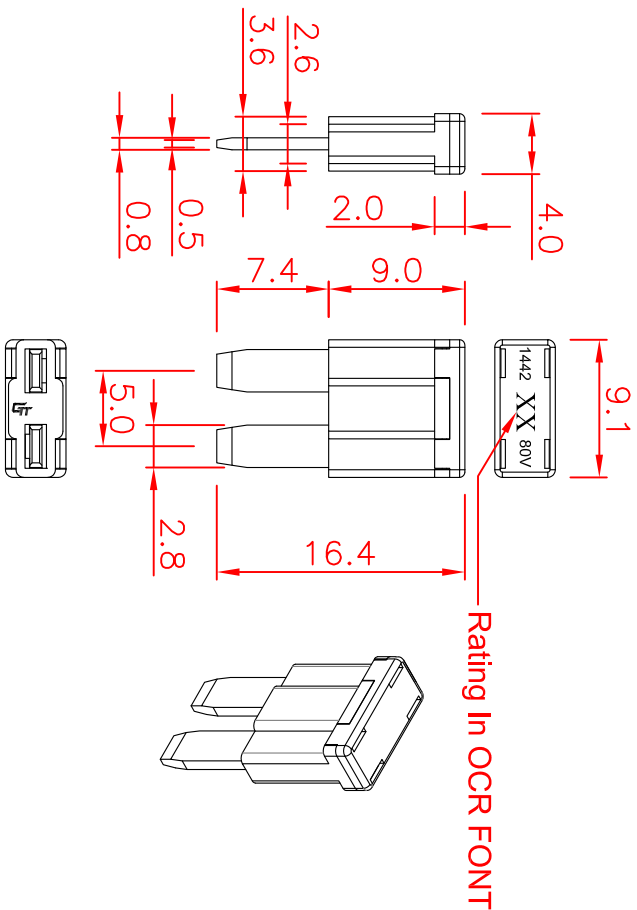


Order Information:

Part No.	Ampere(A)	Voltage (VDC)	Body color
1442 1100 200	1	80	Black
1442 1200 200	2		Grey
1442 1300 200	3		Violet
1442 1400 200	4		Pink
1442 1500 200	5		Tan
1442 1750 200	7.5		Brown
1442 2100 200	10		Red
1442 2150 200	15		Blue
1442 2200 200	20		Yellow



Specifications :

Body Material : Nylon with 25% Fiberglass
 Cover Material : Nylon with 25% Fiberglass, Red
 Metal Material : Copper Alloy, gal. Sn
 Interruption Ratings : 1000A 80VDC

Opening Time / Pre-arcing Time:

In	1.1 In	1.35In	2.0 In	3.5 In	6.0 In
1 ~ 20A	> 100 hr	Min. 0.75s Max. 1800s	Min. 0.15s Max. 30s	Min. 0.04s Max. 0.5s	Min. 0.01s Max. 0.1s

Tolerances : Unless Otherwise Specified						
Dimension	Critical To Function	General				
< 1	+/- 0.02	+/- 0.03				
1 ~ 8	+/- 0.1	+/- 0.2				
8 ~ 24.995	+/- 0.15	+/- 0.25				
25 ~ 99.99	+/- 0.2	+/- 0.3				
Angles	+/- 1°	+/- 5°				
Rev	EN	Description	Dwg	Ckd	Appd	Date
B	93092401	Modify the tolerance	Kao	Chyi	Ku	2004/9/24

Material		Finish		Title:		Dwg Size		Sht		Rev	
Drawn	Check	Engr	Appd	80V Tiny 2(Micro2) Fuse		A4	GTQD-FUS-1442-80V	1	of	1	B
Unless Otherwise Specified Dimensions are mm (inch) Tolerances: .x = 1.0 (.04) .xx = 0.5 (.02) .xxx = 0.25 (.010)											
Model File Name : 80V Tiny2(Micro2) Fuse						Scale: 2:1					
Drawing File Name : GTQD-FUS-1442-80V						Date: 2018/6/12					
Part Number : 1442 xxxx 200											

GLORYTECH TECHNOLOGY CO., LTD.