

Specifications :

Body & Cover Material : Thermoplastics
 Cover Color : Red
 Terminal Material : Copper Alloy, Tin Plated
 Interruption Ratings : 100A @ 350VAC
 1000A @ 80VDC
 50A @ 125VDC

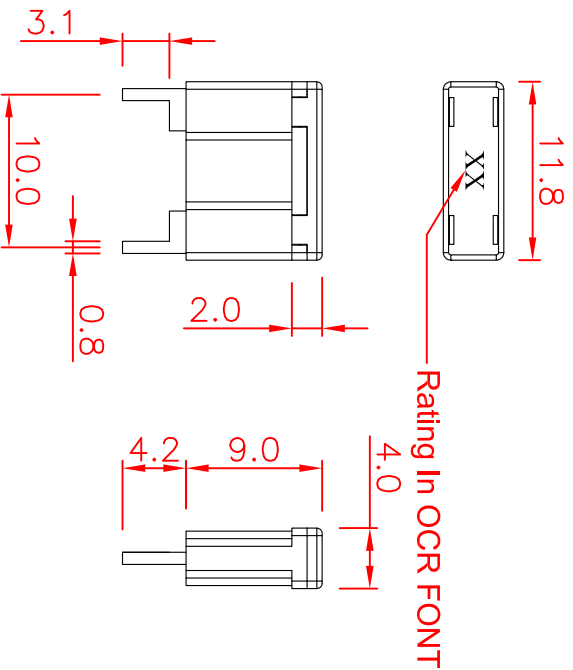
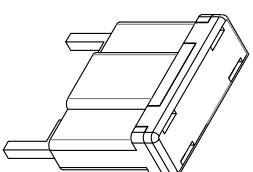
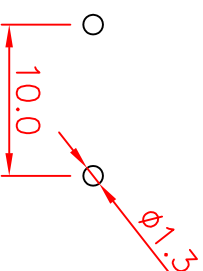
Order Information:

Part No.	Ampere(A)	Body color
1436 0500	0.5	Dark Blue
1436 1100	1	Black
1436 1200	2	Grey
1436 1300	3	Violet
1436 1400	4	Pink
1436 1500	5	Tan
1436 1600	6	Light Red
1436 1700	7	Light Orange
1436 1750	7.5	Brown
1436 1800	8	Light Yellow
1436 2100	10	Red

Electrical Characteristics:

% of Rated Current	Opening Time	
	Min.	Max.
100%	4 hr	---
200%	0.15s	5s

Mounting Holes:



Tolerances : Unless Otherwise Specified			
Dimension	Critical To Function	General	
< 1	+/- 0.02	+/- 0.03	
1 ~ 8	+/- 0.1	+/- 0.2	
8 ~ 24.995	+/- 0.15	+/- 0.25	
25 ~ 99.99	+/- 0.2	+/- 0.3	
Angles	+/- 1°	+/- 5°	
Rev	EN	Description	Dwg Ckd Appd Date
B	93092401	Modify the tolerance	Kao Chyi Ku 2004/9/24

GLORYTECH TECHNOLOGY CO., LTD.

Material	Drawn	Check
	Finish	Engr

Unless Otherwise Specified
 Dimensions are mm (inch)

Tolerances:
 .x = 1.0 (.04)
 .xx = 0.5 (.02)
 .xxx = 0.25 (.010)

Model File Name : 80V PC Board Mini Blade Fuse

Drawing File Name : GTQD-FUS-1436

Part Number : 1436 xxxx

Title:		PC Board Type		Mini Blade Fuse	
A4	GTQD-FUS-1436	B			
Scale:	2:1	Dwg Size	Sht	1 of 1	Rev

Date: 202011/17