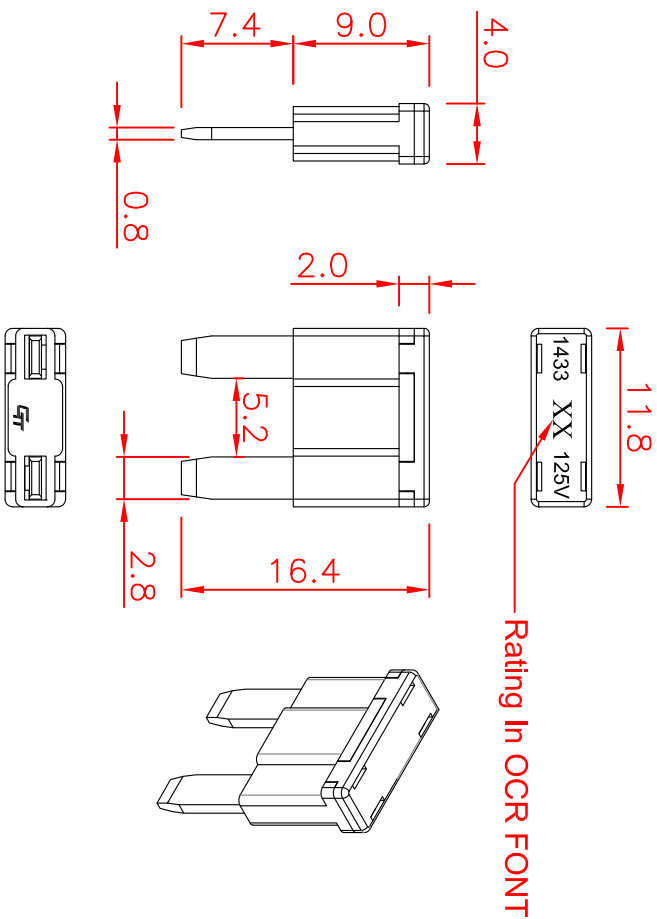


### Specifications :

Body Material : Nylon with 25% Fiberglass  
 Cover Material : Nylon with 25% Fiberglass, D-Red  
 Metal Material : Copper Alloy, gal. Sn  
 Interruption Ratings : 1000A 125VDC  
 Filled with sand

### Order Information:

Part No.	Ampere(A)	Voltage (VDC)	Body color
1433 1300 2IG	3	125	Violet
1433 1400 2IG	4		Pink
1433 1500 2IG	5		Tan
1433 1750 2IG	7.5		Brown
1433 2100 2IG	10		Red
1433 2150 2IG	15		Blue



### Opening Time / Pre-arcing Time:

In	1.1 In	1.5In		2.0 In		3.5 In		6.0 In	
		Min.	Max.	Min.	Max.	Min.	Max.	Min.	Max.
3 ~ 15A	> 100 hr	0.5s	600s	0.15s	30s	0.04s	0.5s	0.015s	0.1s

Tolerances : Unless Otherwise Specified						
Dimension	Critical To Function	General				
< 1	+/- 0.02	+/- 0.03				
1 ~ 8	+/- 0.1	+/- 0.2				
8 ~ 24.995	+/- 0.15	+/- 0.25				
25 ~ 99.99	+/- 0.2	+/- 0.3				
Angles	+/- 1°	+/- 5°				
Rev	EN	Description	Dwg	Ckd	Appd	Date
B	93092401	Modify the tolerance	Kao	Chyi	Ku	2004/9/24

Material		Finish		Title:		Dwg Size		Sht		of		Rev			
Drawn	Check	Engr	Appd	125V Mini Blade Fuse		A4		GTQD-FUS-1433		1		1			
Unless Otherwise Specified Dimensions are mm (inch)				Tolerances: .x = 1.0 (.04) .xx = 0.5 (.02) .xxx = 0.25 (.010)				Scale: 2:1		Dwg Size		Sht		1 of 1	
Model File Name : 125V Mini Blade Fuse ; Ignition Protected													Rev		
Drawing File Name : GTQD-FUS-1433															
Part Number : 1433 xxxx 2IG													Date: 2017/12/12		

## GLORYTECH TECHNOLOGY CO., LTD.

GTQD-FUS-1433

B