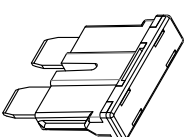
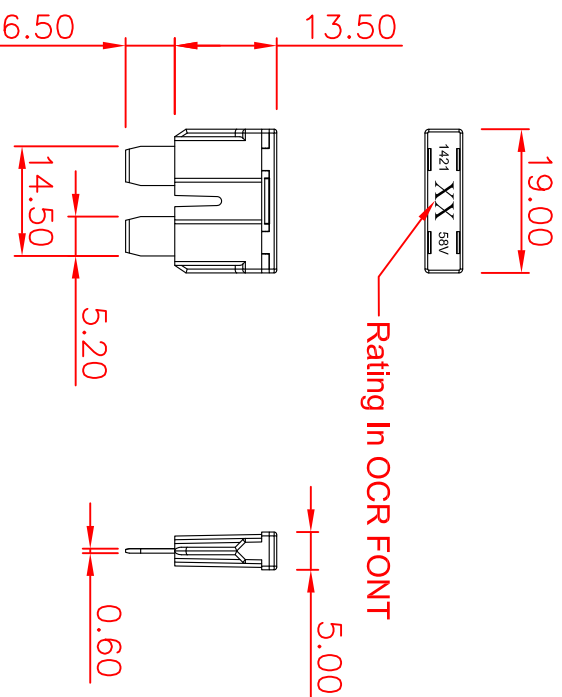


Order Information:

Part No.	Ampere(A)	Body color
1421S 0500 200	0.5	Dark Blue
1421S 1100 200	1	Black
1421S 1200 200	2	Grey
1421S 1300 200	3	Violet
1421S 1400 200	4	Pink
1421S 1500 200	5	Tan
1421S 1600 200	6	Light Red
1421S 1700 200	7	Light Orange
1421S 1750 200	7.5	Brown
1421S 1800 200	8	Light Yellow
1421S 2100 200	10	Red
1421S 2120 200	12	Light Pink
1421S 2150 200	15	Blue
1421S 2160 200	16	Light Green
1421S 2200 200	20	Yellow
1421S 2250 200	25	Natural
1421S 2300 200	30	Green
1421S 2350 200	35	Blue Green
1421S 2400 200	40	Orange



Electrical Characteristics:

% of Rated Current	Opening Time	
	Min.	Max.
100%	---	carry
135%	0.75s	3600s
200%	0.15s	60s
350%	0.04s	1s
600%	0.01s	0.1s

Specifications :

Body & Cover Material : PA66 with glass fiber
 Cover Color : Blue
 Terminal Material : Copper Alloy, Tin Plated
 Interruption Ratings : DC58V 1000A

Tolerances :	Unless Otherwise Specified					
Dimension	Critical To Function	General				
< 1	+/- 0.02	+/- 0.03				
1 ~ 8	+/- 0.1	+/- 0.2				
8 ~ 24.995	+/- 0.15	+/- 0.25				
25 ~ 99.99	+/- 0.2	+/- 0.3				
Angles	+/- 1°	+/- 5°				
Rev	EN	Description	Dwg Ckd	Appd	Date	
B	93092401	Modify the tolerance	Kao	Chyi	Ku	2004/9/24

Material	Drawn	Title:	Dwg Size	Sht	1 of 1	Rev
	Check					
Finish	Engr	58V Blade Fuse-Slotted	A4	GTQD-FUS-1421S	B	
	Appd					
Unless Otherwise Specified Dimensions are mm (inch)		Scale:	1:1			
Tolerances: .x = 1.0 (.04) .xx = 0.5 (.02) .xxx = 0.25 (.010)						
Model File Name : 58V Blade Fuse-Slotted						
Drawing File Name : GTQD-FUS-1421S						
Part Number : 1421S xxxx 200		Date:				2019/12/6

GLORYTECH TECHNOLOGY CO., LTD.