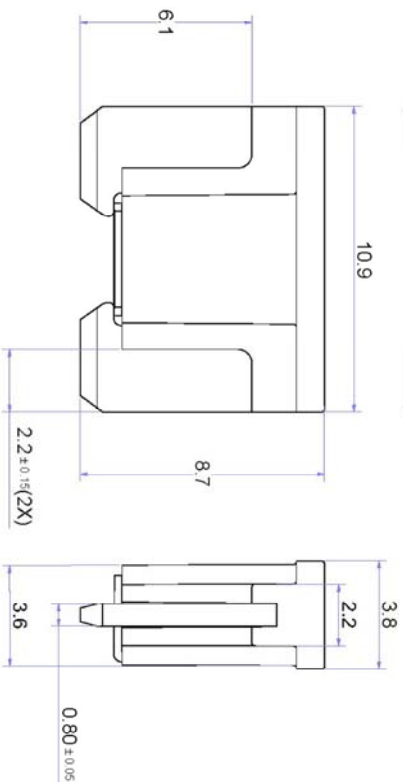
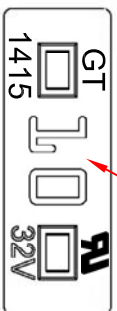


Rating In OCR FONT



According to ISO 8820-3 standard specification
Electrical Characteristics

% of Rated Current	Operating Time	
	min.	max.
110%	100h	---
135%	0.75s	120s
160%	0.25s	50s
200%	0.15s	5s
350%	0.04s	0.5s
600%	0.02s	0.1s

Order Information :

Part No.	Ampere(A)	Voltage Drop	Housing Color
1415 1300	3	200mV	Violet
1415 1400	4	200mV	Pink
1415 1500	5	175mV	Tan
1415 1750	7.5	150mV	Brown
1415 2100	10	140mV	Red
1415 2150	15	125mV	Blue
1415 2200	20	125mV	Yellow
1415 2250	25	125mV	Natural(White)
1415 2300	30	120mV	Green

Specifications :

- 1.Housing Material :Nylon PA66
- 2.Terminal : Zinc alloy, tin plated
- 3.UL 248 Special Purpose Fuse



Tolerances : Unless Otherwise Specified			
Dimension	Critical To Function	General	
< 1	+/- 0.02	+/- 0.03	
1 ~ 8	+/- 0.1	+/- 0.2	
8 ~ 24.995	+/- 0.15	+/- 0.25	
25 ~ 99.99	+/- 0.2	+/- 0.3	
Angles	+/- 1°	+/- 5°	
Rev	EN	Description	Dwg Ckd Appd Date
B	93092401	Modify the tolerance	Kao Chyi Ku 2004/9/24

Material	Drawn	Title:	A4	GTQD-FUS-1415	B
	Check				
Finish	Engr	Low Profile Mini Fuse			
	Appd				
Unless Otherwise Specified Dimensions are mm (inch) Tolerances: .x = 1.0 (.04) .xx = 0.5 (.02) .xxx = 0.25 (.010)					
Model File Name : Low Profile Mini Fuse ; 32V		Scale:	Dwg Size	Sht 1 of 1	Rev
Drawing File Name : GTQD-FUS-1415		Date: 2019/7/3			
Part Number : 1415 xxxx		Date: 2019/7/3			

GLORYTECH TECHNOLOGY CO., LTD.