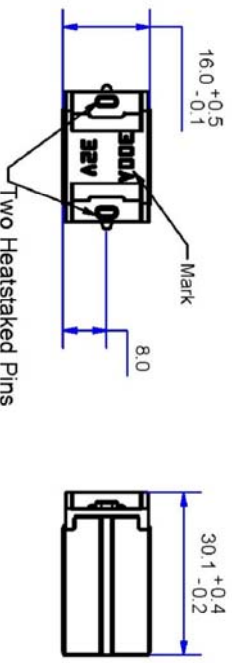
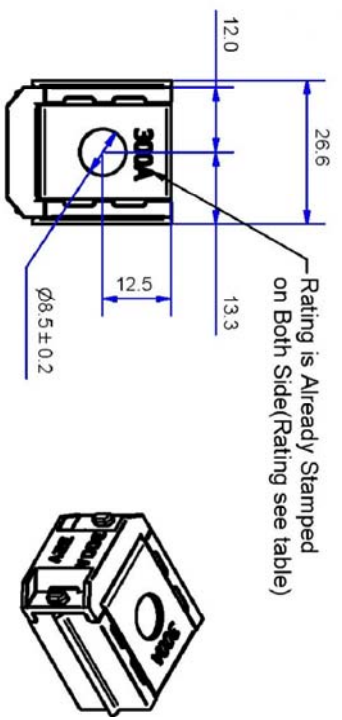


Operating Time :

% of Rating	40A ~ 250A		300A ~ 500A		600A	
	Min.	Max.	Min.	Max.	Min.	Max.
50%	-	-	14400	-	14400	-
100%	14400	-	-	-	-	-
135%	120	1800	-	-	-	-
200%	1	15	1	40	1	40
350%	0.3	5	0.3	5	0.3	5
500%	-	-	-	-	0.1	1
600%	0.1	1	0.1	1	-	-



Specifications:

- Operating Temperature : -40°C to 125°C
 - Housing Material : PPA GF33 HS / Black
 - Insulating Tube : Out of Ceramic
 - Terminal : Copper Alloy Tin Plated
 - Voltage Rating : 32V DC
 - Interrupting Rating : 2000A @ 32VDC
 - Mounting Torque 1/4-20UNC : Maximum 9.8Nm
 - Mounting Torque M8 x 1.25 : Maximum 14Nm
- The fuse design is optimized for a one bolt connection and can used directly on a battery post or busbar connection.

Order Information:

Part No.	Ampere(A)	Wire Size(mm ²)	Voltage Drop(mV)
1404 2400	40	4	180
1404 2500	50	6	160
1404 2600	60	6	160
1404 2700	70	10	110
1404 2800	80	10	110
1404 3100	100	16	110
1404 3125	125	16	110
1404 3150	150	25	110
1404 3175	175	25	110
1404 3200	200	35	110
1404 3225	225	35	110
1404 3250	250	50	110
1404 3300	300	50	70
1404 3350	350	50	70
1404 3400	400	50	70
1404 3500	500	50	70
1404 3600	600	50	70

Tolerances : Unless Otherwise Specified	
Dimension	Critical To Function
< 1	+/- 0.02
1 ~ 8	+/- 0.1
8 ~ 24.995	+/- 0.15
25 ~ 99.99	+/- 0.2
Angles	+/- 1°

Rev	EN	Description	Dwg	Ckd	Appd	Date
B	93092401	Modify the tolerance	Kao	Chyi	Ku	2004/9/24

Material	Drawn	Title:	A4	GTQD-FUS-1404	B	
	Check					
Finish	Engr	Battery Fuse	1:1	Dwg Size	Sht 1 of 1	Rev
	Appd					

Unless Otherwise Specified Dimensions are mm (inch)
Tolerances:
.x = 1.0 (.04)
.xx = 0.5 (.02)
.xxx = 0.25 (.010)

Model File Name : Battery Fuse
Drawing File Name : GTQD-FUS-1404
Part Number : 1404 xxxx

Date: 2021/5/28

GLORYTECH TECHNOLOGY CO., LTD.