

SPECIFICATIONS:

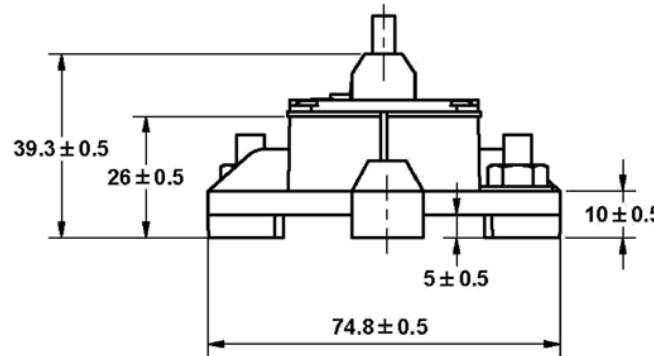
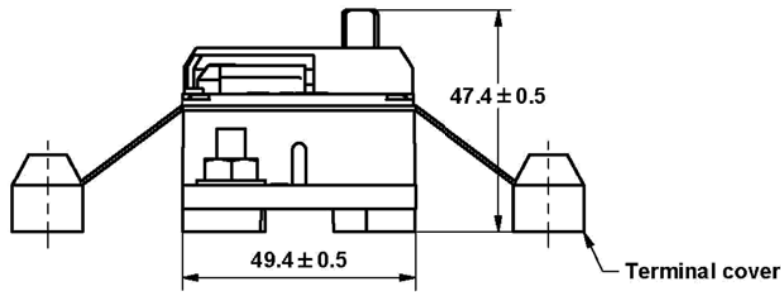
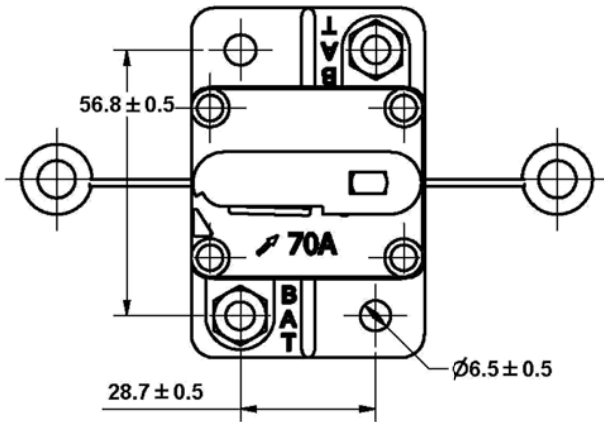
AMPERE RATINGS : 60A ~ 200A

TRI TIMES IN SECONDS AT 70°F(21°C)

	100%	200%	300%	400%	500%	600%	1000%
Time	No TRIP	12 ~ 80s	12 ~ 80s	12 ~ 80s	12 ~ 80s	12 ~ 80s	12 ~ 80s

TYPICAL TEMPERATURE FACTORS FOR ELEVATED TEMPERATURE, FIND PROPER CURRENT RATING OF CIRCUIT BREAKER BY MULTIPLYING ACTUAL FULL LOAD CURRENT WITH BLOW FACTORS, SELECT CLOSEST(HIGHER) AMP RATING.

TEMPERATURE	100°F (37.8°C)	120°F (48.9°C)	140°F (60°C)	160°F (71.1°C)
FACTOR	1.1	1.2	1.3	1.4



Tolerances : Unless Otherwise Specified		
Dimension	Critical To Function	General
< 1	+/- 0.02	+/- 0.03
1 ~ 8	+/- 0.1	+/- 0.2
8 ~ 24.995	+/- 0.15	+/- 0.25
25 ~ 99.99	+/- 0.2	+/- 0.3
Angles	+/- 1°	+/- 5°

Rev	EN	Description	Dwg	Ckd	Appd	Date
B	93092401	Modify the tolerance	Kao	Chyi	Ku	2004/9/24

Material	Drawn	GLORYTECH TECHNOLOGY CO., LTD.			
	Check				
Finish	Engr	Title: Circuit Breaker	A4	GTQD-CBK-1587	B
	Appd				
Unless Otherwise Specified Dimensions are mm (inch) Tolerances: .x = 1.0 (.04) .xx = 0.5 (.02) .xxx = 0.25 (.010)		Scale: 1:2	Dwg Size	Sht 1 of 1	Rev
Model File Name : Circuit Breaker					
Drawing File Name : GTQD-CBK-1587					
Part Number : 1587 xxxx 000			Date: 2010/4/14		