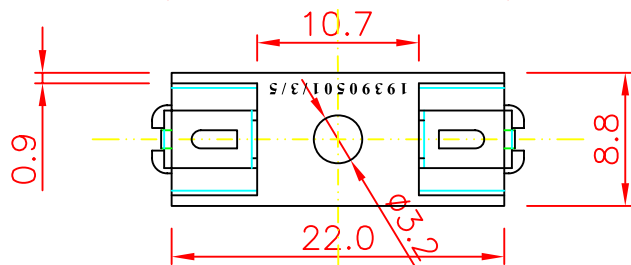
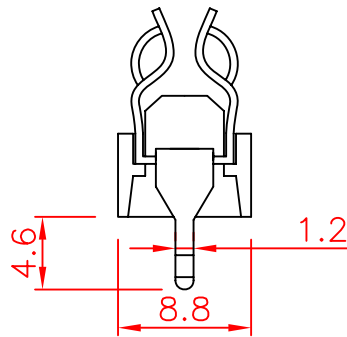
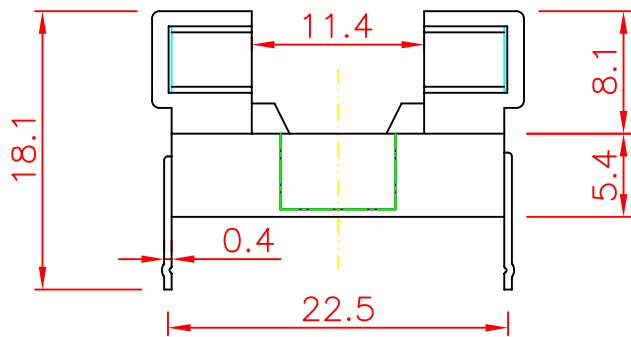
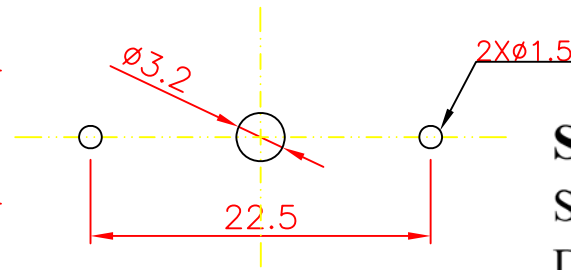
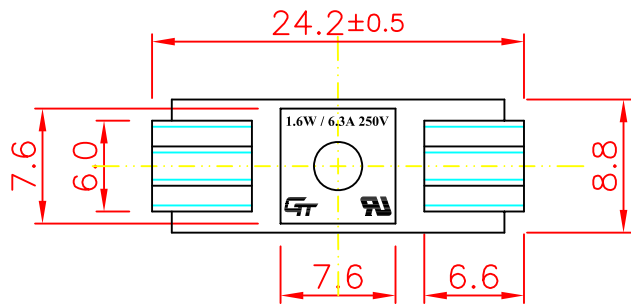


RECOMMENDED MOUNTING HOLE



SPECIFICATIONS :

- Suitable Rated Current : 6.3A 250V AC Max.
- Dielectric Strength for 60 seconds : AC3000V Min.
- Insertion & Extraction Force : 1.5Kg. Min.
- Contact Resistance at 1A DC : 5mΩ Max.
- Insulation Resistance at 500V DC : 100MΩ Min.
- Voltage Drop : 15mV Max.
- Temperature Rise : 60°C Max.
- Molded Parts : Nylon with Glass Fiber 94V0
- Terminals : Brass, Kink Type
- Approval : UL Recognized E256971

Tolerances : Unless Otherwise Specified

Dimension	Critical To Function	General
< 1	+/- 0.02	+/- 0.03
1 ~ 8	+/- 0.1	+/- 0.2
8 ~ 24.995	+/- 0.15	+/- 0.25
25 ~ 99.999	+/- 0.2	+/- 0.3
Angles	+/- 1°	+/- 5°

Rev	EN	Description	Dwg	Ckd	Appd	Date
B	93092401	Modify the tolerance	Kao	Chyi	Ku	2004/9/24
C	94120602	圖面修改	Chris	Bruce	Chyi	2005/12/6

Material	Drawn	GLORYTECH TECHNOLOGY CO., LTD.			
	Check				
Finish	Engr	Title: Fuse Block	A4	GTQD-BLK-1939-0503	C
	Appd				
Unless Otherwise Specified Dimensions are mm (inch) Tolerances: .x = 1.0 (.04) .xx = 0.5 (.02) .xxx = 0.25 (.010)		Scale: 2:1	Dwg Size	Sht 1 of 1	Rev
Model File Name : Fuse Block for 5x20mm Fuses (19390503)					
Drawing File Name : GTQD-BLK-1939-0503					
Part Number : 1939 0503 424			Date:	2005/12/6	