

P.C. Board Mount Fuse Clips

Part No. **41110601424**



Specifications

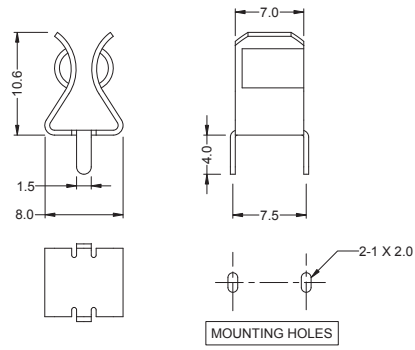
Electrical:

Metal Material	Spring Bronze
Material Thickness (mm)	0.5t
Suitable Rated Current	15A Max.
Finishing	Bright Tin Plated
Style	Ear Type

* Other Finishing & Material Available Upon Request
* Lead (Pb) Free Plating Available Upon Request

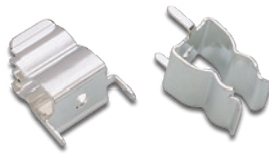
RoHS

For 6.3 mm Diameter Fuses



Scale: mm

Part No. **41130603424**



Specifications

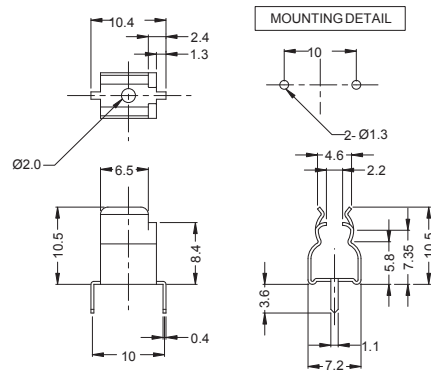
Electrical:

Metal Material	Phosphor Bronze
Material Thickness (mm)	0.4t
Suitable Rated Current	15A Max.
Finishing	Bright Tin Plated
Style	Ear Type

* Other Finishing & Material Available Upon Request
* Lead (Pb) Free Plating Available Upon Request

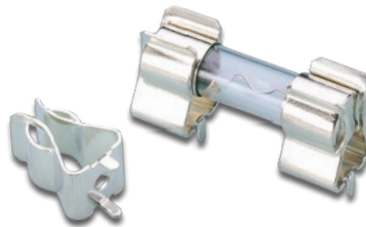
RoHS

For 6.3 mm Diameter Fuses



Scale: mm

Part No. **41131002433**



Specifications

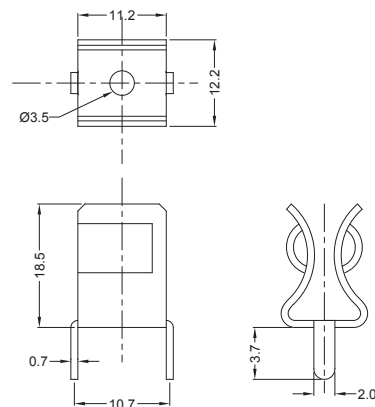
Electrical:

Metal Material	Phosphor Bronze
Material Thickness (mm)	0.7t
Suitable Rated Current	30A Max.
Finishing	Bright Tin Plated
Style	Ear Type

* Other Finishing & Material Available Upon Request
* Lead (Pb) Free Plating Available Upon Request

RoHS

For 10.3 mm Diameter Fuses



Scale: mm

Part No. **41130503442**



Specifications

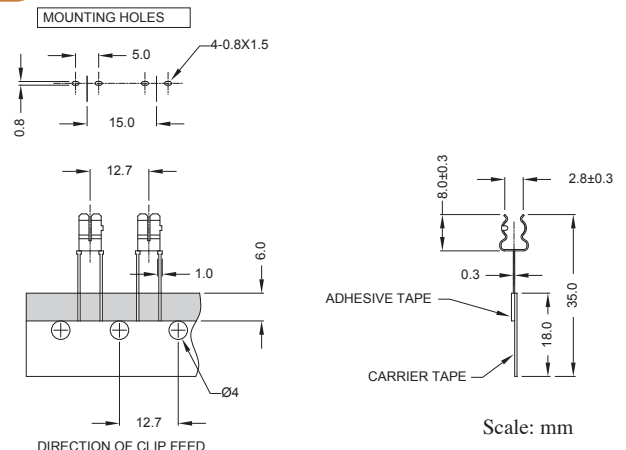
Electrical:

Metal Material	Phosphor Bronze
Material Thickness (mm)	0.3t
Suitable Rated Current	10A Max.
Finishing	Bright Tin Plated
Style	Ear Type
Packing	Ammo Pack - 1000pcs/Box

* Other Finishing & Material Available Upon Request
* Lead (Pb) Free Plating Available Upon Request

RoHS

For 5 mm Diameter Fuses



Scale: mm