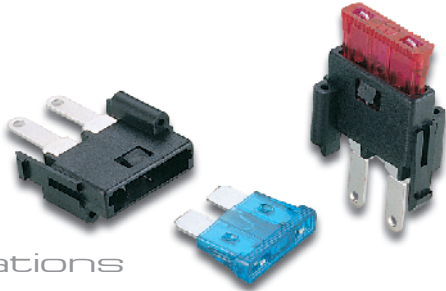


Mounted Fuse Block

Part No. **1829 | 906400**



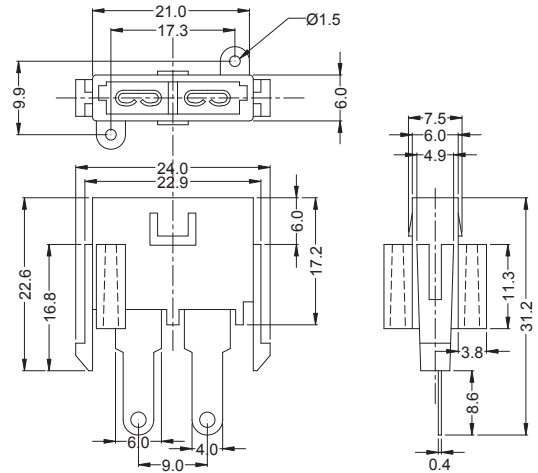
For Blade Type Fuses

For Blade Type Fuses

Specifications

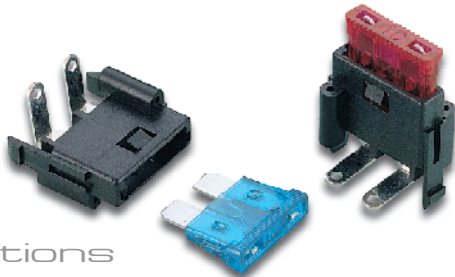
Electrical:

Suitable Rated Current	30A Max.
Dielectric Strength For 60 Seconds	AC 1500 V Min.
Insertion & Extraction Force	1 Kg. Min.
Contact Resistance At 1A DC	5mΩ Max.
Insulation Resistance At 500V DC	100MΩ Min.
Voltage Drop	20mV Max.
Temperature Rise	50°C Max.
Molded Parts	Nylon With Glass Fiber
Terminals	Brass
Style	Snap-In And Screw Fix Type



Scale: mm

Part No. **1829 | 907400**



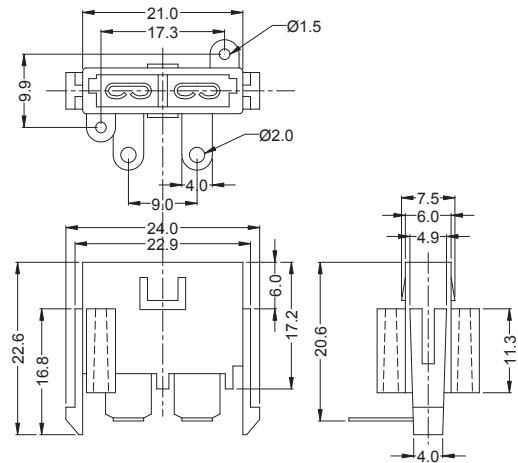
For Blade Type Fuses

For Blade Type Fuses

Specifications

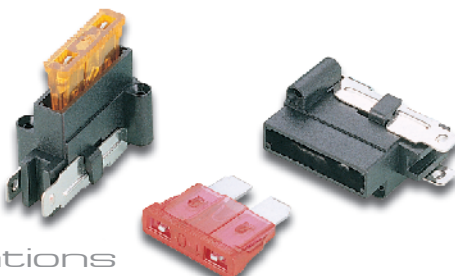
Electrical:

Suitable Rated Current	30A Max.
Dielectric Strength For 60 Seconds	AC 1500 V Min.
Insertion & Extraction Force	1 Kg. Min.
Contact Resistance At 1A DC	5mΩ Max.
Insulation Resistance At 500V DC	100MΩ Min.
Voltage Drop	20mV Max.
Temperature Rise	50°C Max.
Molded Parts	Nylon With Glass Fiber
Terminals	Brass
Style	Snap-In And Screw Fix Type



Scale: mm

Part No. **1829 | 904400**



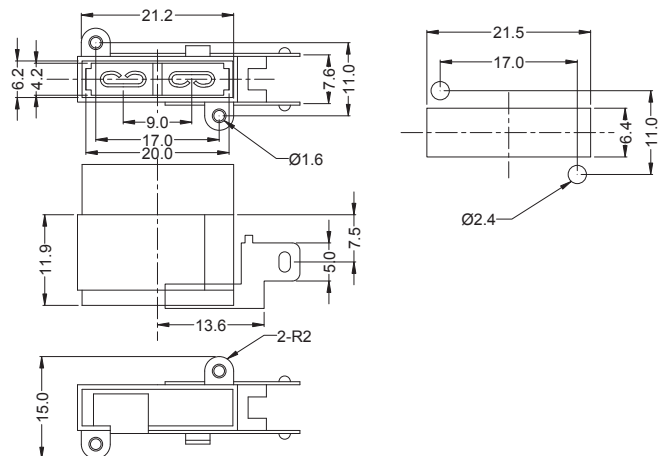
For Blade Type Fuses

For Blade Type Fuses

Specifications

Electrical:

Suitable Rated Current	30A Max.
Dielectric Strength For 60 Seconds	AC 1500 V Min.
Insertion & Extraction Force	1 Kg. Min.
Contact Resistance At 1A DC	5mΩ Max.
Insulation Resistance At 500V DC	100MΩ Min.
Voltage Drop	20mV Max.
Temperature Rise	50°C Max.
Molded Parts	Nylon With Glass Fiber
Terminals	Brass
Style	Quick Insert Terminal Type



Scale: mm