

Subminiature Fuse

New !! Patented
Lead (Pb) Free

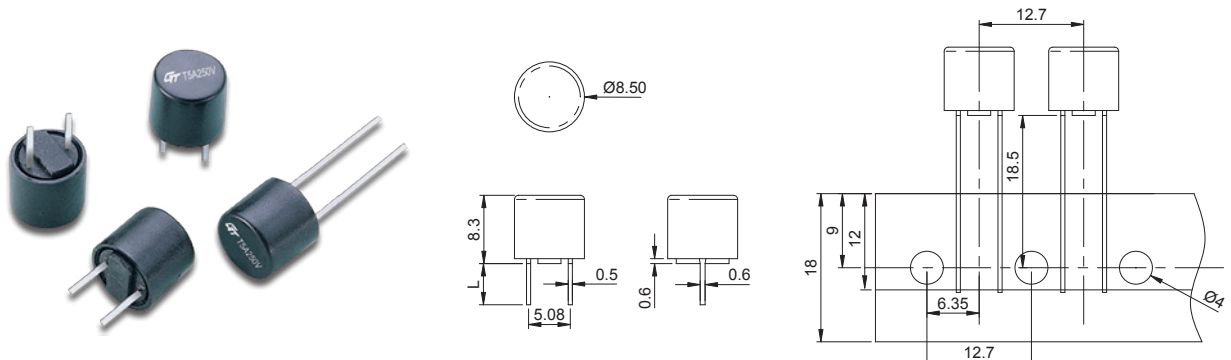


RoHS

Part No. **1713** series



- Quick Acting (F) Type
- Material: * Body: Thermoplastic UL94V0
* Pin: Copper Alloy, Tin Plated
Option: Gold or Silver Plated Available Upon Request
- Element: Silver Alloy
- Voltage Rating: 250V and Less
- Standards: UL248-14
- Ampere Rating: 50mA - 10A
- Low Internal Resistance
- Vibration Resistant
- Application: TV, VCR, Monitor, Adapter, Communication Equipment, Protection and Safety For All Other Small Equipments
- Replace Conventional Micro Fuses and Cartridge Fuses
- Reduced PCB Space
- Shocksafe Casing



Scale: mm

Specifications

Opening Time / Pre-arcing Time:

In	1.0 In	2.0 In
50mA-10A	Carry	Max. 10 s

Long Lead (L=18.8mm), 1000PCS Ammo Pack
Short Lead (L=4.3mm), Bulk Pack

Ordering Information:

Part Number	Ampere (A)	Voltage (V)	Voltage Drop Max. (mV)	Breaking Capacity (AC)	Pt Min. (A ² s)	
1713005024*(1)	50 mA	250 V	1400	250A 250V / 250A 300V	0.0001	Pending
1713006024*(1)	60 mA	250 V	1350	250A 250V / 250A 300V	0.00017	Pending
1713006324*(1)	63 mA	250 V	1300	250A 250V / 250A 300V	0.00023	Pending
1713008024*(1)	80 mA	250 V	1200	250A 250V / 250A 300V	0.00037	Pending
1713010024*(1)	100 mA	250 V	1100	250A 250V / 250A 300V	0.0013	Pending
1713012524*(1)	125 mA	250 V	1000	250A 250V / 250A 300V	0.0019	Pending
1713016024*(1)	160 mA	250 V	950	250A 250V / 250A 300V	0.004	Pending
1713020024*(1)	200 mA	250 V	850	250A 250V / 250A 300V	0.0065	Pending
1713025024*(1)	250 mA	250 V	750	250A 250V / 250A 300V	0.014	Pending
1713030024*(1)	300 mA	250 V	690	250A 250V / 250A 300V	0.028	Pending
1713031524*(1)	315 mA	250 V	650	250A 250V / 250A 300V	0.032	Pending
1713040024*(1)	400 mA	250 V	230	250A 250V / 250A 300V	0.016	Pending
1713050024*(1)	500 mA	250 V	225	250A 250V / 250A 300V	0.024	Pending
1713060024*(1)	600 mA	250 V	215	250A 250V / 250A 300V	0.032	Pending
1713063024*(1)	630 mA	250 V	210	250A 250V / 250A 300V	0.039	Pending
1713070024*(1)	700 mA	250 V	205	250A 250V / 250A 300V	0.045	Pending
1713080024*(1)	800 mA	250 V	200	250A 250V / 250A 300V	0.069	Pending
1713110024*(1)	1 A	250 V	190	250A 250V / 250A 300V	0.11	Pending
1713112524*(1)	1.25 A	250 V	180	250A 250V / 250A 300V	0.2	Pending
1713115024*(1)	1.5 A	250 V	175	250A 250V / 250A 300V	0.32	Pending
1713116024*(1)	1.6 A	250 V	170	250A 250V / 250A 300V	0.38	Pending
1713120024*(1)	2 A	250 V	160	250A 250V / 250A 300V	0.63	Pending
1713125024*(1)	2.5 A	250 V	150	250A 250V / 250A 300V	1.2	Pending
1713130024*(1)	3 A	250 V	145	250A 250V / 250A 300V	1.7	Pending
1713131524*(1)	3.15 A	250 V	140	250A 250V / 250A 300V	1.9	Pending
1713135024*(1)	3.5 A	250 V	135	250A 250V / 250A 300V	2.7	Pending
1713140024*(1)	4 A	250 V	130	250A 250V / 250A 300V	3.5	Pending
1713150024*(1)	5 A	250 V	120	250A 250V / 250A 300V	6.2	Pending
1713163024*(1)	6.3 A	250 V	115	250A 250V / 250A 300V	9.1	Pending
1713170024*(1)	7 A	250 V	110	250A 250V / 250A 300V	21	Pending
1713180024*(1)	8 A	250 V	110	250A 250V / 250A 300V	26	Pending
1713210024*(1)	10 A	250 V	110	250A 250V / 250A 300V	49	Pending

*(1) Ordering Information: For Long Leads, ADD 1 After Part No.
For Short Leads, ADD 0 After Part No.