

Subminiature Fuse

New !! Patented
Lead (Pb) Free

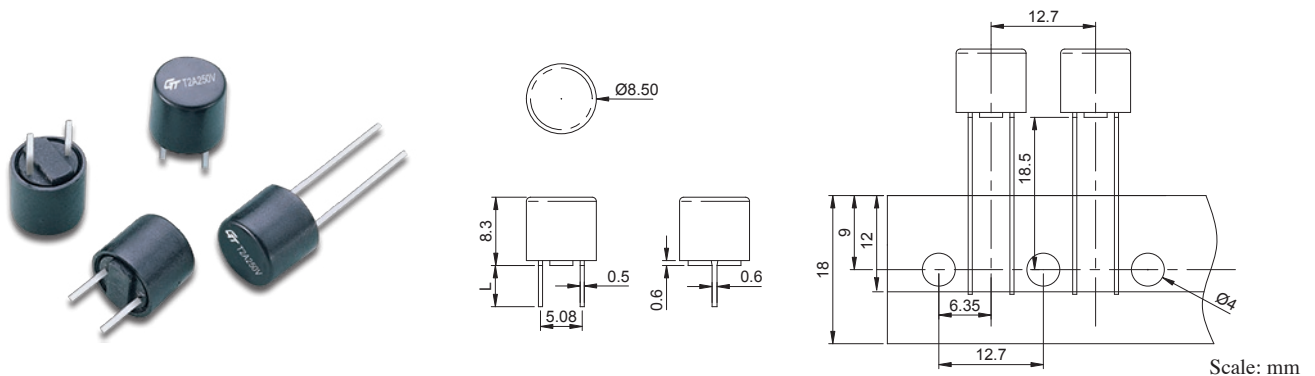


RoHS

Part No. **1712** series



- Time Lag (T) Type, Surge Withstand
- Material: * Body: Thermoplastic UL94V0
* Pin: Copper Alloy, Tin Plated
Option: Gold or Silver Plated Available Upon Request
- Element: Silver Alloy
- Voltage Rating: 250V and Less
- Standards: IEC 60127-3/IV
- Low Internal Resistance
- Vibration Resistant
- Application: TV, VCR, Monitor, Adapter, Communication Equipment, Protection and Safety For All Other Small Equipments
- Replace Conventional Micro Fuses and Cartridge Fuses
- Ampere Rating: 50mA - 10A
- Reduced PCB Space
- Shocksafe Casing



Specifications

Opening Time / Pre-arcing Time:

Long Lead (L=18.8mm), 1000PCS Ammo Pack
Short Lead (L=4.3mm), Bulk Pack

In	1.5 In	2.1 In	2.75 In		4 In		10 In	
	Carry	Max.	Min.	Max.	Min.	Max.	Min.	Max.
50mA-10A		120 s	400 ms	10 s	150 ms	3 s	20 ms	150 ms

Ordering Information:

Part Number	Ampere (A)	Voltage (V)	Voltage Drop Max. (mV)	Breaking Capacity (AC)	I ² t Min. (A ² s)	
1712005044*(1)	50 mA	250 V	500	250A 250V / 250A 300V	0.01	Pending
1712006344*(1)	63 mA	250 V	400	250A 250V / 250A 300V	0.02	Pending
1712008044*(1)	80 mA	250 V	370	250A 250V / 250A 300V	0.023	Pending
1712010044*(1)	100 mA	250 V	300	250A 250V / 250A 300V	0.047	Pending
1712012544*(1)	125 mA	250 V	260	250A 250V / 250A 300V	0.066	Pending
1712016044*(1)	160 mA	250 V	200	250A 250V / 250A 300V	0.104	Pending
1712020044*(1)	200 mA	250 V	170	250A 250V / 250A 300V	0.18	Pending
1712025044*(1)	250 mA	250 V	150	250A 250V / 250A 300V	0.28	Pending
1712031544*(1)	315 mA	250 V	140	250A 250V / 250A 300V	0.36	Pending
1712040044*(1)	400 mA	250 V	130	250A 250V / 250A 300V	0.9	Pending
1712050044*(1)	500 mA	250 V	125	250A 250V / 250A 300V	1.3	Pending
1712063044*(1)	630 mA	250 V	120	250A 250V / 250A 300V	2.5	Pending
1712080044*(1)	800 mA	250 V	110	250A 250V / 250A 300V	3.8	Pending
1712110044*(1)	1 A	250 V	110	250A 250V / 250A 300V	5.5	Pending
1712112544*(1)	1.25 A	250 V	100	250A 250V / 250A 300V	7.9	Pending
1712116044*(1)	1.6 A	250 V	100	250A 250V / 250A 300V	14	Pending
1712120044*(1)	2 A	250 V	100	250A 250V / 250A 300V	17	Pending
1712125044*(1)	2.5 A	250 V	90	250A 250V / 250A 300V	25	Pending
1712131544*(1)	3.15 A	250 V	90	250A 250V / 250A 300V	46	Pending
1712140044*(1)	4 A	250 V	90	250A 250V / 250A 300V	91	Pending
1712150044*(1)	5 A	250 V	85	250A 250V / 250A 300V	134	Pending
1712163044*(1)	6.3 A	250 V	85	250A 250V / 250A 300V	220	Pending
1712170044*(1)	7 A	250 V	80	250A 250V / 250A 300V	230	Pending
1712180044*(1)	8 A	250 V	80	250A 250V / 250A 300V	240	Pending
1712210044*(1)	10 A	250 V	80	250A 250V / 250A 300V	260	Pending

*(1) Ordering Information: For Long Leads, ADD 1 After Part No.
For Short Leads, ADD 0 After Part No.