

Subminiature Fuse

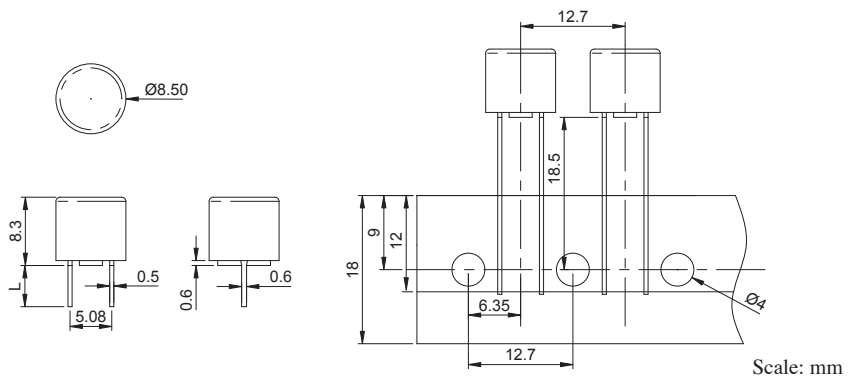
New !! Patented
Lead (Pb) Free 

RoHS

Part No. **1711** series



- Quick Acting (F) Type
- Material: * Body: Thermoplastic UL94V0
* Pin: Copper Alloy, Tin Plated
Option: Gold or Silver Plated Available Upon Request
- Element: Silver Alloy
- Voltage Rating: 250V and Less
- Standards: IEC 60127-3/III
- Ampere Rating: 50mA - 10A
- Low Internal Resistance
- Vibration Resistant
- Application: TV, VCR, Monitor, Adapter, Communication Equipment, Protection and Safety For All Other Small Equipments
- Replace Conventional Micro Fuses and Cartridge Fuses
- Reduced PCB Space
- Shocksafe Casing




Specifications

Opening Time / Pre-arcing Time:

Long Lead (L=18.8mm), 1000PCS Ammo Pack
Short Lead (L=4.3mm), Bulk Pack

In	1.5 In	2.1 In	2.75 In		4 In		10 In
50mA-10A	Carry	Max.	Min.	Max.	Min.	Max.	Max.
		30 Minutes	10 ms	3 s	3 ms	300 ms	20 ms

Ordering Information:

Part Number	Ampere (A)	Voltage (V)	Voltage Drop Max. (mV)	Breaking Capacity (AC)	I ² t Min. (A ² s)	
1711005024*(1)	50 mA	250 V	320	250A 250V / 250A 300V	0.00035	Pending
1711006324*(1)	63 mA	250 V	350	250A 250V / 250A 300V	0.0005	Pending
1711008024*(1)	80 mA	250 V	370	250A 250V / 250A 300V	0.0014	Pending
1711010024*(1)	100 mA	250 V	600	250A 250V / 250A 300V	0.0038	Pending
1711012524*(1)	125 mA	250 V	550	250A 250V / 250A 300V	0.0066	Pending
1711016024*(1)	160 mA	250 V	500	250A 250V / 250A 300V	0.014	Pending
1711020024*(1)	200 mA	250 V	465	250A 250V / 250A 300V	0.03	Pending
1711025024*(1)	250 mA	250 V	400	250A 250V / 250A 300V	0.051	Pending
1711031524*(1)	315 mA	250 V	380	250A 250V / 250A 300V	0.1	Pending
1711040024*(1)	400 mA	250 V	120	250A 250V / 250A 300V	0.025	Pending
1711050024*(1)	500 mA	250 V	120	250A 250V / 250A 300V	0.037	Pending
1711063024*(1)	630 mA	250 V	115	250A 250V / 250A 300V	0.066	Pending
1711080024*(1)	800 mA	250 V	120	250A 250V / 250A 300V	0.11	Pending
1711110024*(1)	1 A	250 V	110	250A 250V / 250A 300V	0.2	Pending
1711112524*(1)	1.25 A	250 V	100	250A 250V / 250A 300V	0.31	Pending
1711116024*(1)	1.6 A	250 V	100	250A 250V / 250A 300V	0.53	Pending
1711120024*(1)	2 A	250 V	85	250A 250V / 250A 300V	0.98	Pending
1711125024*(1)	2.5 A	250 V	80	250A 250V / 250A 300V	1.8	Pending
1711131524*(1)	3.15 A	250 V	90	250A 250V / 250A 300V	3.1	Pending
1711140024*(1)	4 A	250 V	80	250A 250V / 250A 300V	6.7	Pending
1711150024*(1)	5 A	250 V	80	250A 250V / 250A 300V	8.5	Pending
1711163024*(1)	6.3 A	250 V	80	250A 250V / 250A 300V	12	Pending
1711170024*(1)	7 A	250 V	80	250A 250V / 250A 300V	20	Pending
1711180024*(1)	8 A	250 V	80	250A 250V / 250A 300V	32	Pending
1711210024*(1)	10 A	250 V	80	250A 250V / 250A 300V	60	Pending

*(1) Ordering Information: For Long Leads, ADD 1 After Part No.
For Short Leads, ADD 0 After Part No.