

Subminiature Fuse

New !! Patented
Lead (Pb) Free

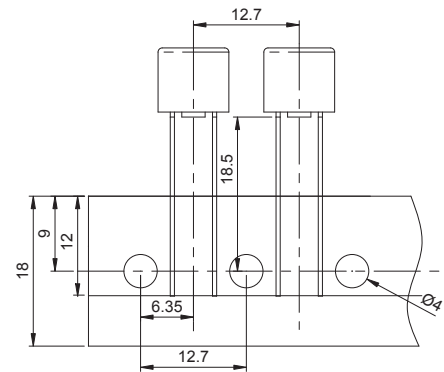
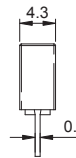
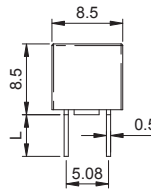
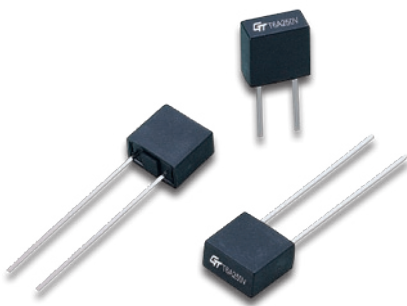


RoHS

Part No. **1704** series



- Time Lag (T) Type, Surge Withstand
- Material: * Body: Thermoplastic UL94V0
* Pin: Copper Alloy, Tin Plated
Option: Gold or Silver Plated Available Upon Request
- Element: Silver Alloy
- Voltage Rating: 250V and Less
- Standards: UL248-14
- Low Internal Resistance
- Vibration Resistant
- Application: TV, VCR, Monitor, Adapter, Communication Equipment, Protection and Safety For All Other Small Equipments
- Replace Conventional Micro Fuses and Cartridge Fuses
- Ampere Rating: 50mA - 10A
- Reduced PCB Space
- Shocksafe Casing



Scale: mm

Specifications

Opening Time / Pre-arcing Time:

In	1.0 In	2.0 In
50mA-10A	Carry	Max. 60 s

Long Lead (L=18.8mm), 1000PCS Ammo Pack
Short Lead (L=4.3mm), Bulk Pack

Ordering Information:

Part Number	Ampere (A)	Voltage (V)	Voltage Drop Max. (mV)	Breaking Capacity (AC)	I ² t Min. (A ² s)	UL US
1704005044*(1)	50 mA	250 V	900	250A 250V / 250A 300V	0.0056	Pending
1704006044*(1)	60 mA	250 V	850	250A 250V / 250A 300V	0.0075	Pending
1704006344*(1)	63 mA	250 V	800	250A 250V / 250A 300V	0.009	Pending
1704008044*(1)	80 mA	250 V	700	250A 250V / 250A 300V	0.014	Pending
1704010044*(1)	100 mA	250 V	600	250A 250V / 250A 300V	0.025	Pending
1704012544*(1)	125 mA	250 V	550	250A 250V / 250A 300V	0.044	Pending
1704016044*(1)	160 mA	250 V	480	250A 250V / 250A 300V	0.058	Pending
1704020044*(1)	200 mA	250 V	390	250A 250V / 250A 300V	0.1	Pending
1704025044*(1)	250 mA	250 V	350	250A 250V / 250A 300V	0.17	Pending
1704030044*(1)	300 mA	250 V	320	250A 250V / 250A 300V	0.22	Pending
1704031544*(1)	315 mA	250 V	300	250A 250V / 250A 300V	0.26	Pending
1704040044*(1)	400 mA	250 V	250	250A 250V / 250A 300V	0.32	Pending
1704050044*(1)	500 mA	250 V	220	250A 250V / 250A 300V	0.58	Pending
1704060044*(1)	600 mA	250 V	215	250A 250V / 250A 300V	0.67	Pending
1704063044*(1)	630 mA	250 V	210	250A 250V / 250A 300V	0.75	Pending
1704070044*(1)	700 mA	250 V	180	250A 250V / 250A 300V	0.85	Pending
1704080044*(1)	800 mA	250 V	160	250A 250V / 250A 300V	0.98	Pending
1704110044*(1)	1 A	250 V	155	250A 250V / 250A 300V	2.8	Pending
1704112544*(1)	1.25 A	250 V	145	250A 250V / 250A 300V	3.8	Pending
1704115044*(1)	1.5 A	250 V	140	250A 250V / 250A 300V	4.8	Pending
1704116044*(1)	1.6 A	250 V	130	250A 250V / 250A 300V	5.2	Pending
1704120044*(1)	2 A	250 V	125	250A 250V / 250A 300V	7.5	Pending
1704125044*(1)	2.5 A	250 V	120	250A 250V / 250A 300V	14	Pending
1704130044*(1)	3 A	250 V	115	250A 250V / 250A 300V	19	Pending
1704131544*(1)	3.15 A	250 V	110	250A 250V / 250A 300V	22	Pending
1704135044*(1)	3.5 A	250 V	110	250A 250V / 250A 300V	24	Pending
1704140044*(1)	4 A	250 V	110	250A 250V / 250A 300V	27	Pending
1704150044*(1)	5 A	250 V	95	250A 250V / 250A 300V	59	Pending
1704163044*(1)	6.3 A	250 V	95	250A 250V / 250A 300V	100	Pending
1704170044*(1)	7 A	250 V	90	250A 250V / 250A 300V	122	Pending
1704180044*(1)	8 A	250 V	90	250A 250V / 250A 300V	160	Pending
1704210044*(1)	10 A	250 V	90	250A 250V / 250A 300V	220	Pending

*⁽¹⁾ Ordering Information: For Long Leads, ADD 1 After Part No.
For Short Leads, ADD 0 After Part No.