

# Subminiature Fuse

New !! Patented  
Lead (Pb) Free

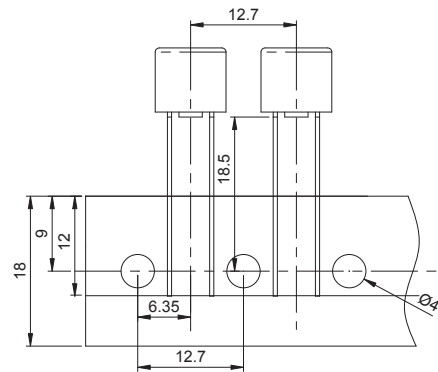
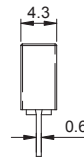
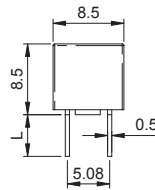
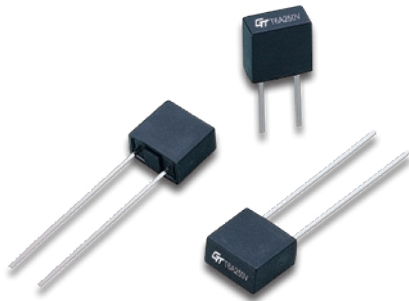


RoHS

Part No. **1703** series



- Quick Acting (F) Type
- Material: \* Body: Thermoplastic UL94V0  
\* Pin: Copper Alloy, Tin Plated  
*Option: Gold or Silver Plated Available Upon Request*
- Element: Silver Alloy
- Voltage Rating: 250V and Less
- Standards: UL248-14
- Ampere Rating: 50mA - 10A
- Low Internal Resistance
- Vibration Resistant
- Application: TV, VCR, Monitor, Adapter, Communication Equipment, Protection and Safety For All Other Small Equipments
- Replace Conventional Micro Fuses and Cartridge Fuses
- Reduced PCB Space
- Shocksafe Casing



Scale: mm

## Specifications

### Opening Time / Pre-arcing Time:

In	1.0 In	2.0 In
50mA-10A	Carry	Max. 10 s

Long Lead (L=18.8mm), 1000PCS Ammo Pack  
Short Lead (L=4.3mm), Bulk Pack

### Ordering Information:

Part Number	Ampere (A)	Voltage (V)	Voltage Drop Max. (mV)	Breaking Capacity (AC)	I <sup>2</sup> t Min. (A <sup>2</sup> s)	UL US
1703005024*(1)	50 mA	250 V	1600	250A 250V / 250A 300V	0.0001	Pending
1703006024*(1)	60 mA	250 V	1450	250A 250V / 250A 300V	0.00012	Pending
1703006324*(1)	63 mA	250 V	1300	250A 250V / 250A 300V	0.00013	Pending
1703008024*(1)	80 mA	250 V	1200	250A 250V / 250A 300V	0.0002	Pending
1703010024*(1)	100 mA	250 V	1100	250A 250V / 250A 300V	0.0013	Pending
1703012524*(1)	125 mA	250 V	1350	250A 250V / 250A 300V	0.0019	Pending
1703016024*(1)	160 mA	250 V	1000	250A 250V / 250A 300V	0.0037	Pending
1703020024*(1)	200 mA	250 V	950	250A 250V / 250A 300V	0.0075	Pending
1703025024*(1)	250 mA	250 V	900	250A 250V / 250A 300V	0.013	Pending
1703030024*(1)	300 mA	250 V	850	250A 250V / 250A 300V	0.022	Pending
1703031524*(1)	315 mA	250 V	800	250A 250V / 250A 300V	0.026	Pending
1703040024*(1)	400 mA	250 V	230	250A 250V / 250A 300V	0.015	Pending
1703050024*(1)	500 mA	250 V	220	250A 250V / 250A 300V	0.022	Pending
1703060024*(1)	600 mA	250 V	215	250A 250V / 250A 300V	0.03	Pending
1703063024*(1)	630 mA	250 V	210	250A 250V / 250A 300V	0.038	Pending
1703070024*(1)	700 mA	250 V	205	250A 250V / 250A 300V	0.052	Pending
1703080024*(1)	800 mA	250 V	200	250A 250V / 250A 300V	0.068	Pending
1703110024*(1)	1 A	250 V	190	250A 250V / 250A 300V	0.1	Pending
1703112524*(1)	1.25 A	250 V	180	250A 250V / 250A 300V	0.2	Pending
1703115024*(1)	1.5 A	250 V	175	250A 250V / 250A 300V	0.32	Pending
1703116024*(1)	1.6 A	250 V	170	250A 250V / 250A 300V	0.39	Pending
1703120024*(1)	2 A	250 V	160	250A 250V / 250A 300V	0.53	Pending
1703125024*(1)	2.5 A	250 V	150	250A 250V / 250A 300V	1.1	Pending
1703130024*(1)	3 A	250 V	145	250A 250V / 250A 300V	1.7	Pending
1703131524*(1)	3.15 A	250 V	140	250A 250V / 250A 300V	1.9	Pending
1703135024*(1)	3.5 A	250 V	135	250A 250V / 250A 300V	2.5	Pending
1703140024*(1)	4 A	250 V	130	250A 250V / 250A 300V	3.2	Pending
1703150024*(1)	5 A	250 V	120	250A 250V / 250A 300V	6.1	Pending
1703163024*(1)	6.3 A	250 V	115	250A 250V / 250A 300V	9.7	Pending
1703170024*(1)	7 A	250 V	100	250A 250V / 250A 300V	18	Pending
1703180024*(1)	8 A	250 V	90	250A 250V / 250A 300V	27	Pending
1703210024*(1)	10 A	250 V	90	250A 250V / 250A 300V	48	Pending

\*(1) Ordering Information: For Long Leads, ADD 1 After Part No.  
For Short Leads, ADD 0 After Part No.