

# Subminiature Fuse

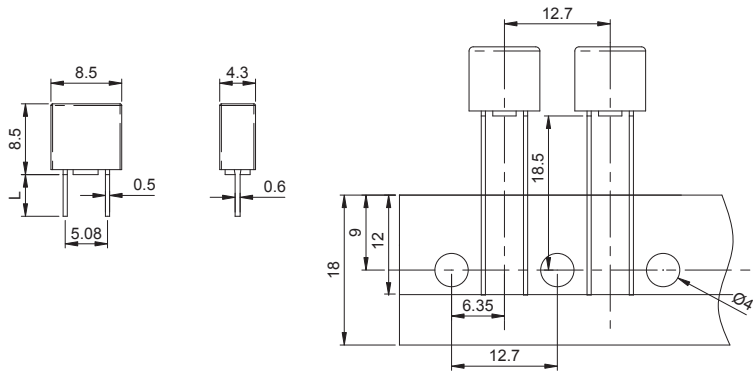
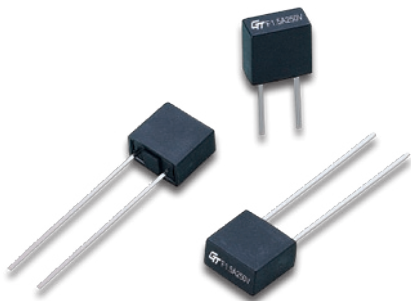
New !! Patented  
Lead (Pb) Free 

RoHS

Part No. **1701** series



- Quick Acting (F) Type
- Material: \* Body: Thermoplastic UL94V0  
\* Pin: Copper Alloy, Tin Plated  
*Option: Gold or Silver Plated Available Upon Request*
- Element: Silver Alloy
- Voltage Rating: 250V and Less
- Standards: IEC 60127-3/III
- Low Internal Resistance
- Vibration Resistant
- Application: TV, VCR, Monitor, Adapter, Communication Equipment, Protection and Safety For All Other Small Equipments
- Replace Conventional Micro Fuses and Cartridge Fuses
- Ampere Rating: 50mA - 10A
- Reduced PCB Space
- Shocksafe Casing



Scale: mm


## Specifications

### Opening Time / Pre-arcing Time:

Long Lead (L=18.8mm), 1000PCS Ammo Pack  
Short Lead (L=4.3mm), Bulk Pack

Part No.	Ampere (A)	Voltage (V)	Voltage Drop Max. (mV)	Breaking Capacity (AC)	Pt Min. (A <sup>2</sup> s)

### Ordering Information:

Part Number	Ampere (A)	Voltage (V)	Voltage Drop Max. (mV)	Breaking Capacity (AC)	Pt Min. (A <sup>2</sup> s)	
1701005024*(1)	50 mA	250 V	320	250A 250V / 250A 300V	0.00035	Pending
1701006324*(1)	63 mA	250 V	350	250A 250V / 250A 300V	0.0005	Pending
1701008024*(1)	80 mA	250 V	370	250A 250V / 250A 300V	0.0014	Pending
1701010024*(1)	100 mA	250 V	600	250A 250V / 250A 300V	0.0038	Pending
1701012524*(1)	125 mA	250 V	550	250A 250V / 250A 300V	0.0066	Pending
1701016024*(1)	160 mA	250 V	500	250A 250V / 250A 300V	0.014	Pending
1701020024*(1)	200 mA	250 V	465	250A 250V / 250A 300V	0.03	Pending
1701025024*(1)	250 mA	250 V	400	250A 250V / 250A 300V	0.051	Pending
1701031524*(1)	315 mA	250 V	380	250A 250V / 250A 300V	0.1	Pending
1701040024*(1)	400 mA	250 V	120	250A 250V / 250A 300V	0.025	Pending
1701050024*(1)	500 mA	250 V	120	250A 250V / 250A 300V	0.037	Pending
1701063024*(1)	630 mA	250 V	115	250A 250V / 250A 300V	0.066	Pending
1701080024*(1)	800 mA	250 V	120	250A 250V / 250A 300V	0.11	Pending
1701110024*(1)	1 A	250 V	110	250A 250V / 250A 300V	0.2	Pending
1701112524*(1)	1.25 A	250 V	100	250A 250V / 250A 300V	0.31	Pending
1701116024*(1)	1.6 A	250 V	100	250A 250V / 250A 300V	0.53	Pending
1701120024*(1)	2 A	250 V	85	250A 250V / 250A 300V	0.98	Pending
1701125024*(1)	2.5 A	250 V	80	250A 250V / 250A 300V	1.8	Pending
1701131524*(1)	3.15 A	250 V	90	250A 250V / 250A 300V	3.1	Pending
1701140024*(1)	4 A	250 V	80	250A 250V / 250A 300V	6.7	Pending
1701150024*(1)	5 A	250 V	80	250A 250V / 250A 300V	8.5	Pending
1701163024*(1)	6.3 A	250 V	80	250A 250V / 250A 300V	12	Pending
1701170024*(1)	7 A	250 V	80	250A 250V / 250A 300V	20	Pending
1701180024*(1)	8 A	250 V	80	250A 250V / 250A 300V	32	Pending
1701210024*(1)	10 A	250 V	80	250A 250V / 250A 300V	60	Pending

\*(1) Ordering Information: For Long Leads, ADD 1 After Part No.  
For Short Leads, ADD 0 After Part No.