

# Blade Type Automotive Fuse

New !! Patented

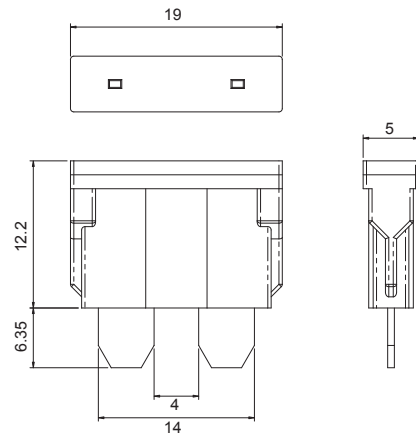
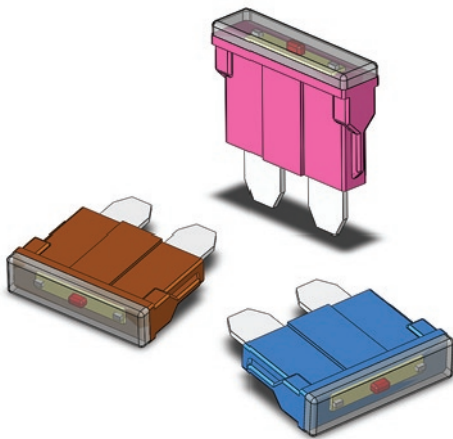


RoHS

Part No. **1573** series With Indicator (LED)



- Fast Acting, Low Voltage For Up To 32V DC
- Material: \* Body: Plastic  
\* Metal: Zinc Alloy
- Standard: According To SAE J1284
- Circuit Protection To Replace Fusible Wire Or Fusible Link
- Fuses Are Color-Coded For Easy Amperage Identification
- The illuminative design is easy to identify if the fuse blew out  
( Battery with power, Keep the switch/key in "ON" position )
- Once the over-current flow to the circuit cause the fuse blew out and the LED illuminated
- Easy for DIY replaceme



Scale: mm

## Specifications

### Opening Time / Pre-arcing Time:

In	1.1 In	1.35 In		2.0 In		3.5 In		6.0 In	
1-40A	>100 Hours	Min.	Max.	Min.	Max.	Min.	Max.	Min.	Max.
		0.75 s	1800 s	0.15 s	5 s	0.04 s	0.5 s	0.02 s	0.1 s

Interruption Ratings: 1000 Amperes @32VDC

### Ordering Information:

Part Number	Ampere (A)	Voltage (VDC)	Body Color
15731100200	1 A	32 V	● Black
15731200200	2 A	32 V	○ Gray
15731300200	3 A	32 V	● Violet
15731400200	4 A	32 V	● Pink
15731500200	5 A	32 V	● Tan
15731750200	7.5 A	32 V	● Brown
15732100200	10 A	32 V	● Red
15732150200	15 A	32 V	● Blue
15732200200	20 A	32 V	● Yellow
15732250200	25 A	32 V	○ Natural
15732300200	30 A	32 V	● Green
15732350200	35 A	32 V	● Blue Green
15732400200	40 A	32 V	● Orange