

Mini-Blade Type Automotive Fuse

New !! Patented

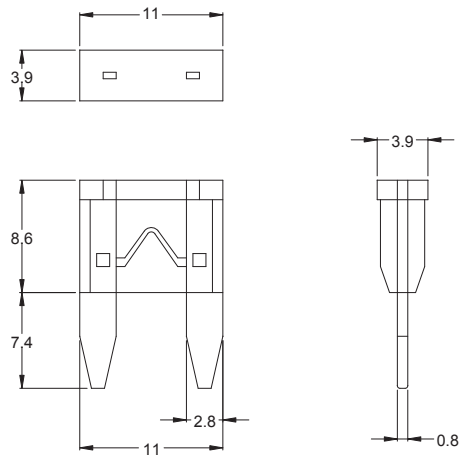
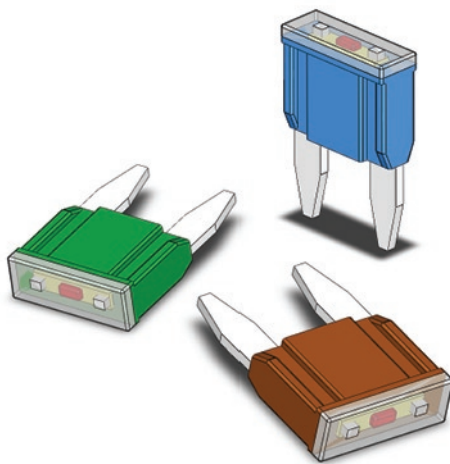


RoHS

Part No. **1571** series With Indicator (LED)



- Fast Acting, Low Voltage For Up To 32V DC
- Material: * Body: Plastic
* Metal: Zinc Alloy
- Standard: According To SAE J2077
- To Permit More Fuses In The Same Amount Of Space
- Fuses Are Color-Coded For Easy Amperage Identification
- The illuminative design is easy to identify if the fuse blew out
(Battery with power, Keep the switch/key in "ON" position)
- Once the over-current flow to the circuit cause the fuse blew out and the LED illuminated
- Easy for DIY replacement



Scale: mm

Specifications

Opening Time / Pre-arcing Time:

In	1.1 In	1.35 In		2.0 In		3.5 In		6.0 In	
		Min.	Max.	Min.	Max.	Min.	Max.	Min.	Max.
2-35A	>100 Hours	0.75 s	1800 s	0.15 s	5 s	0.04 s	0.5 s	0.02 s	0.1 s

Interruption Ratings: 1000 Amperes @32VDC

Ordering Information:

Part Number	Ampere (A)	Voltage (VDC)	Body Color
15711200200	2 A	32 V	Gray
15711300200	3 A	32 V	Violet
15711400200	4 A	32 V	Pink
15711500200	5 A	32 V	Tan
15711750200	7.5 A	32 V	Brown
15712100200	10 A	32 V	Red
15712150200	15 A	32 V	Blue
15712200200	20 A	32 V	Yellow
15712250200	25 A	32 V	Natural
15712300200	30 A	32 V	Green
15712350200	35 A	32 V	Purple