

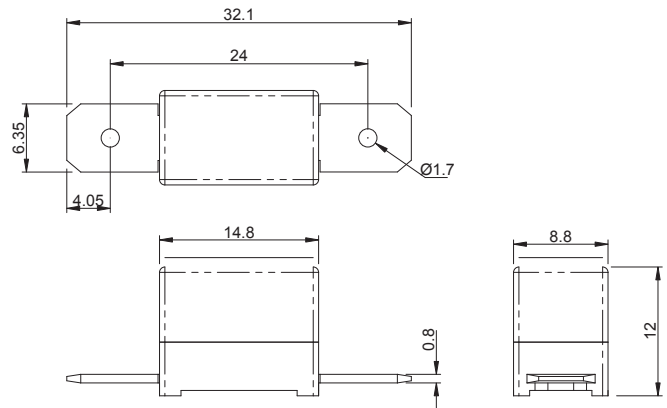


Part No. **1552** series

Horizontal Type



- Surge Withstand - Time Delay
- Size: 15(L) x 9(W) x 12(H)
- Voltage: 80V and Less
- Material: * Insulating Body: Fiberglass Reinforced Plastic, UL94V0 Flame Resistant
 - * Element: Silver Alloy
 - * Terminals: 0.250" (6.35mm) Copper With Tin Plated, 0.8mm Thickness
 - Option: Gold or Silver Plated Available Upon Request
- Direct Connect To Female Terminal, Terminal Version For Easy Replacement
- Shock Safe Casing
- Low Internal Resistant
- High Vibration Resistant
- According to SAE J553
- Designed And Patented By **GLORYTECH**



Scale: mm

Specifications

Opening Time / Pre-arcing Time:

In	1.1 In	1.35 In	2.0 In		3.5 In		6.0 In		10 In	
			Min.	Max.	Min.	Max.	Min.	Max.	Min.	Max.
500mA-15A	> 4 Hours	< 1 Hour	5 s	60 s	2 s	7 s	0.2 s	1 s	0.03 s	0.3 s

Interruption Ratings: 1000 Amperes @80VDC

Ordering Information:

Part Number	Ampere (A)	Voltage (V)
15520500400	500 mA	80 V
15520630400	630 mA	80 V
15520800400	800 mA	80 V
15521100400	1 A	80 V
15521125400	1.25 A	80 V
15521160400	1.6 A	80 V
15521200400	2 A	80 V
15521250400	2.5 A	80 V
15521300400	3 A	80 V

Part Number	Ampere (A)	Voltage (V)
15521315400	3.15 A	80 V
15521400400	4 A	80 V
15521500400	5 A	80 V
15521600400	6 A	80 V
15521630400	6.3 A	80 V
15521800400	8 A	80 V
15522100400	10 A	80 V
15522120400	12 A	80 V
15522150400	15 A	80 V