

Blade Type Automotive Fuse - 42V Power Net

Part No. **1543** series

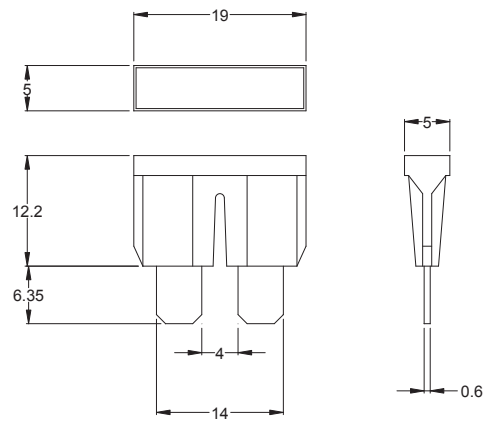
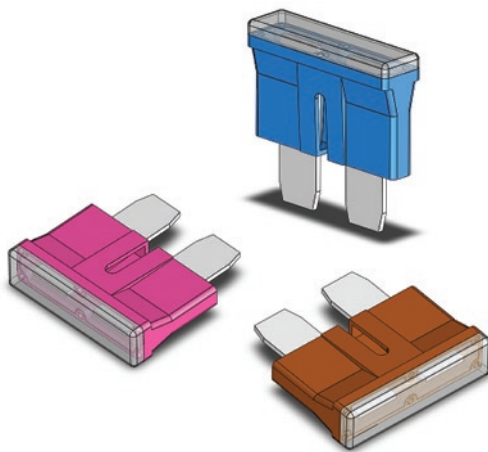
New!!



RoHS



- Fast Acting, For Rated Voltage Up To 58V DC
- Material: * Body: Fiberglass Reinforced Plastic, UL94V0 Flame Resistant
* Metal: Copper / Zinc / Silver Alloy
- Standard: According To SAE J1284
- Circuit Protection To Replace Fusible Wire Or Fusible Link
- Fuses Are Color-Coded For Easy Amperage Identification



Scale: mm

Specifications

Opening Time / Pre-arcing Time:

In	1.1 In	1.35 In		2.0 In		3.5 In		6.0 In	
1-40A	>100 Hours	Min.	Max.	Min.	Max.	Min.	Max.	Min.	Max.
		0.75 s	1800 s	0.15 s	5 s	0.04 s	0.5 s	0.02 s	0.1 s

Interruption Ratings: 1000 Amperes @58VDC

Environmental Specifications: Operating Temperature Range: -40°C ~ +125°C

Ordering Information:

Part Number	Ampere (A)	Voltage (VDC)	Body Color
15431100200	1A	58 V	● Black
15431200200	2 A	58 V	○ Gray
15431300200	3 A	58 V	● Violet
15431400200	4 A	58 V	● Pink
15431500200	5 A	58 V	● Tan
15431750200	7.5 A	58 V	● Brown
15432100200	10 A	58 V	● Red
15432150200	15 A	58 V	● Blue
15432200200	20 A	58 V	● Yellow
15432250200	25 A	58 V	○ Natural
15432300200	30 A	58 V	● Green
15432350200	35 A	58 V	● Blue Green
15432400200	40 A	58 V	● Orange