

Bolt-On Fuse Strips With Housing



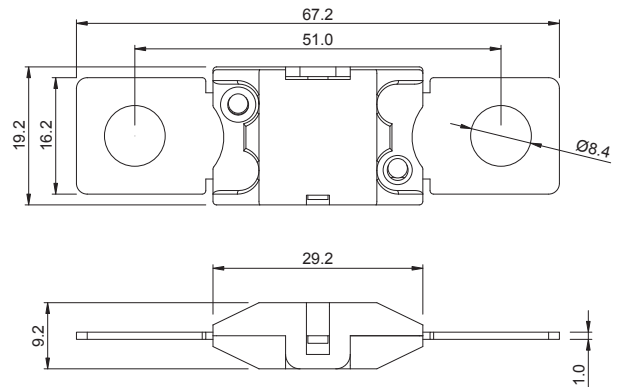
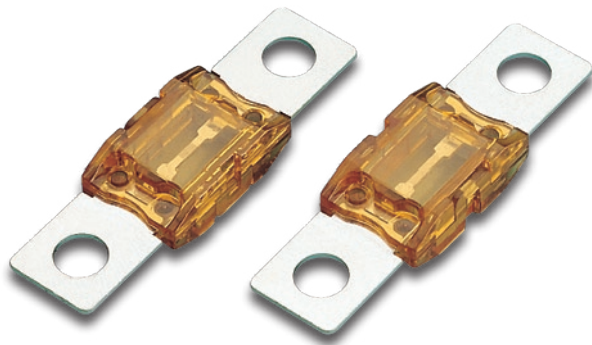
RoHS

Part No. **1537** series



- For High Performance And High Power Audio Systems, Also Use For Lift Trucks And Other Battery Operated Systems
- Body Material: Polycarbonate
- Metal Element: Brass / Copper With Gold Plating

• Option: Metal Element Without Gold Plating Available Part No. 1549



Scale: mm

Specifications

Opening Time / Pre-arcing Time:

In	1.1 In	1.5 In		2.0 In		3.0 In	
100 - 250A	> 4 Hours	Min.	Max.	Min.	Max.	Min.	Max.
		90 s	3600 s	55 s	100 s	0.55 s	15 s

Ordering Information:

Part Number	Ampere (A)	Voltage (VDC)	Body Color
15373100400	100 A	32 V	● Yellow
15373125400	125 A	32 V	● Green
15373150400	150 A	32 V	● Orange
15373175400	175 A	32 V	⊖ Clear
15373200400	200 A	32 V	● Blue
15373225400	225 A	32 V	● Tan
15373250400	250 A	32 V	● Pink

Ordering Information: Element Without Gold Plating

Part Number	Ampere (A)	Voltage (VDC)	Body Color
15493100400	100 A	32 V	● Yellow
15493125400	125 A	32 V	● Green
15493150400	150 A	32 V	● Orange
15493175400	175 A	32 V	⊖ Clear
15493200400	200 A	32 V	● Blue
15493225400	225 A	32 V	● Tan
15493250400	250 A	32 V	● Pink