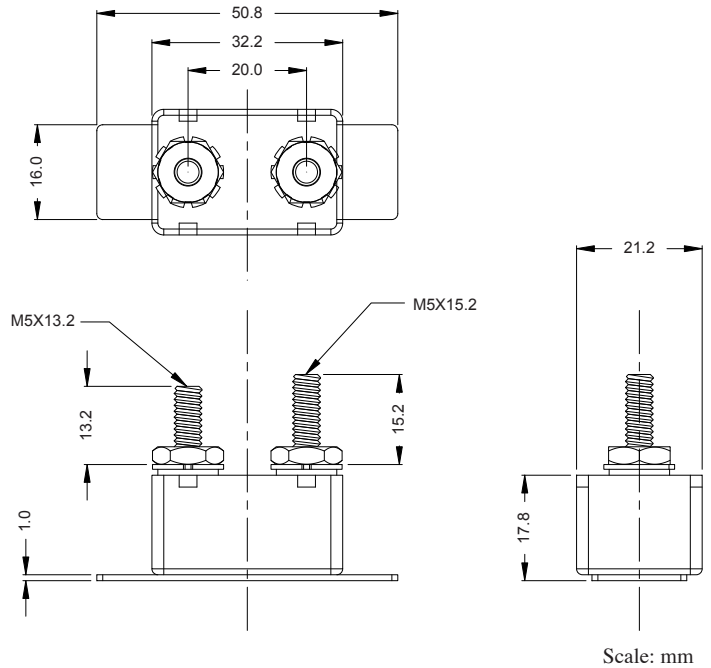
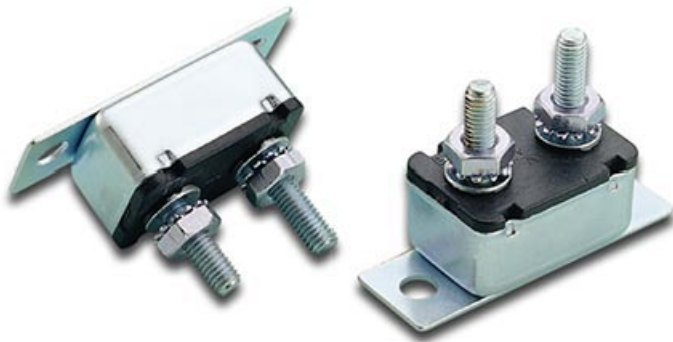


Stud Type Circuit Breaker

Part No. **1522** series



- Automatic Reset Type Circuit Breaker
- Voltage Rating: 6-24 V
- Ampere Rating: 6A, 8A, 10A, 15A, 20A, 25A, 30A, 40A, 50A



Specifications

Description	Cycles on-off when load is excessive; Stud terminals
Breaker Type	Type I
Voltage	6-24V DC
Amperes	6-50 A
Terminals	Threaded studs (2) with nut
Terminal Size	10-32 Thread
Ambient Temperature Range	-40°C ~ +80°C
Housing Style	Plated steel case, with bracket
Mounting Method	With bracket attached lengthwise the case
Usage	Battery chargers, trucks, buses, RV's, trolling motors, etc
Application	Automotive headlamp, power windows, seats & locks
Standard	Complies with SAE J553

Ordering Information:

Part Number	Ampere (A)	Voltage (VDC)
15221600000	6 A	6-24 V
15221800000	8 A	6-24 V
15222100000	10 A	6-24 V
15222150000	15 A	6-24 V
15222200000	20 A	6-24 V
15222250000	25 A	6-24 V
15222300000	30 A	6-24 V
15222400000	40 A	6-24 V
15222500000	50 A	6-24 V

Electrical:

% Of Ampere Rating	Ampere Rating	Opening Time
100 %	6-50 A	60 Minutes, Min.
135 %	6-50 A	60 Minutes, Max.
200 %	6-50 A	1 Minute, Max.