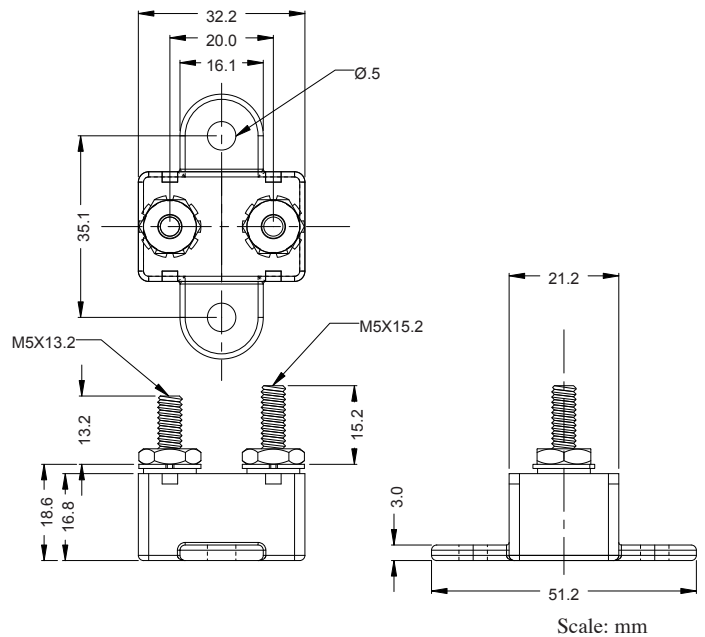
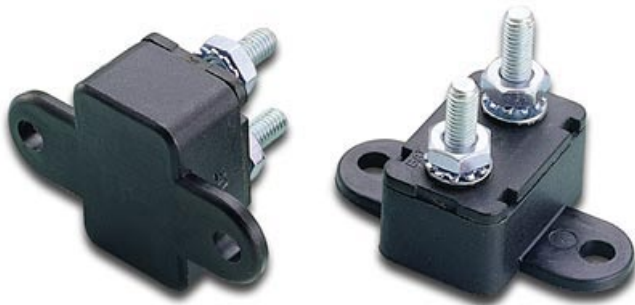


Stud Type Circuit Breaker

Part No. **1519** series



- Automatic Reset Type Circuit Breaker
- Voltage Rating: 6-24 V
- Ampere Rating: 10A, 15A, 20A, 25A, 30A, 40A, 50A



Specifications

Description	Cycles on-off when load is excessive; Stud terminals
Breaker Type	Type I
Voltage	6-24V DC
Amperes	10-50 A
Terminals	Threaded studs (2) with nut
Terminal Size	10-32 Thread
Ambient Temperature Range	-40°C ~ +80°C
Housing Style	Temperature resistant plastic case, with bracket
Mounting Method	With bracket attached crosswise the case, internally sealed
Usage	Battery chargers, trucks, buses, RV's, trolling motors, etc
Application	Automotive headlamp, power windows, seats & locks
Standard	Complies with SAE J553

Ordering Information:

Part Number	Ampere (A)	Voltage (VDC)
15192100000	10 A	6-24 V
15192150000	15 A	6-24 V
15192200000	20 A	6-24 V
15192250000	25 A	6-24 V
15192300000	30 A	6-24 V
15192400000	40 A	6-24 V
15192500000	50 A	6-24 V

Electrical:

% Of Ampere Rating	Ampere Rating	Opening Time
100 %	10-50 A	60 Minutes, Min.
135 %	10-50 A	60 Minutes, Max.
200 %	10-50 A	1 Minute, Max.