

Blade Type Automotive Fuse

Gold Plating

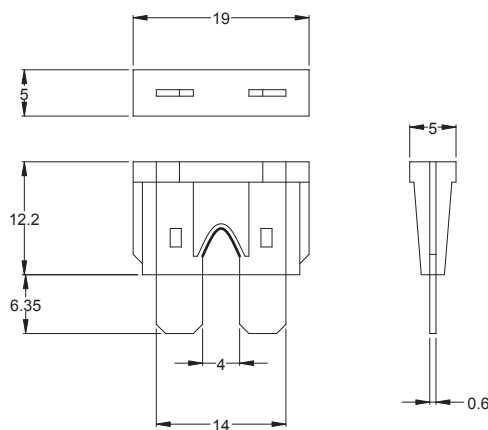
Part No. **1505** series



- Fast Acting, Low Voltage For Up To 32V DC
- Material: * Body: Plastic
* Metal: Zinc Alloy with Gold Plating
- Standard: According To SAE J1284
- High Performance For Car Audio System
- Circuit Protection To Replace Fusible Wire Or Fusible Link
- Fuses Are Color-Coded For Easy Amperage Identification



RoHS



Scale: mm

Specifications

Opening Time / Pre-arcing Time:

| In | 1.1 In | 1.35 In | | 2.0 In | | 3.5 In | | 6.0 In | |
|-------|------------|---------|--------|--------|------|--------|-------|--------|-------|
| 1-40A | >100 Hours | Min. | Max. | Min. | Max. | Min. | Max. | Min. | Max. |
| | | 0.75 s | 1800 s | 0.15 s | 5 s | 0.04 s | 0.5 s | 0.02 s | 0.1 s |

Interruption Ratings: 1000 Amperes @32VDC

Ordering Information:

| Part Number | Ampere (A) | Voltage (VDC) | Body Color |
|-------------|------------|---------------|--------------|
| 15051100200 | 1 A | 32 V | ● Black |
| 15051200200 | 2 A | 32 V | ○ Gray |
| 15051300200 | 3 A | 32 V | ● Violet |
| 15051400200 | 4 A | 32 V | ● Pink |
| 15051500200 | 5 A | 32 V | ● Tan |
| 15051750200 | 7.5 A | 32 V | ● Brown |
| 15052100200 | 10 A | 32 V | ● Red |
| 15052150200 | 15 A | 32 V | ● Blue |
| 15052200200 | 20 A | 32 V | ● Yellow |
| 15052250200 | 25 A | 32 V | ○ Natural |
| 15052300200 | 30 A | 32 V | ● Green |
| 15052350200 | 35 A | 32 V | ● Blue Green |
| 15052400200 | 40 A | 32 V | ● Orange |