

Blade Type Automotive Fuse

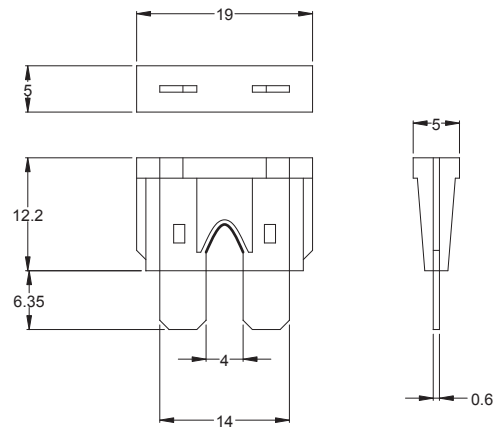


RoHS

Part No. **1504** series



- Fast Acting, Low Voltage For Up To 32V DC
- Material: * Body: Plastic
* Metal: Zinc Alloy
- Standard: According To SAE J1284
- Circuit Protection To Replace Fusible Wire Or Fusible Link
- Fuses Are Color-Coded For Easy Amperage Identification



Scale: mm

Specifications

Opening Time / Pre-arcing Time:

In	1.1 In	1.35 In		2.0 In		3.5 In		6.0 In	
1-40A	>100 Hours	Min.	Max.	Min.	Max.	Min.	Max.	Min.	Max.
		0.75 s	1800 s	0.15 s	5 s	0.04 s	0.5 s	0.02 s	0.1 s

Interruption Ratings: 1000 Amperes @32VDC

Ordering Information:

Part Number	Ampere (A)	Voltage (VDC)	Body Color
15041100200	1 A	32 V	● Black
15041200200	2 A	32 V	○ Gray
15041300200	3 A	32 V	● Violet
15041400200	4 A	32 V	● Pink
15041500200	5 A	32 V	● Tan
15041750200	7.5 A	32 V	● Brown
15042100200	10 A	32 V	● Red
15042150200	15 A	32 V	● Blue
15042200200	20 A	32 V	● Yellow
15042250200	25 A	32 V	○ Natural
15042300200	30 A	32 V	● Green
15042350200	35 A	32 V	● Blue Green
15042400200	40 A	32 V	● Orange