

Mini-Blade Type Automotive Fuse

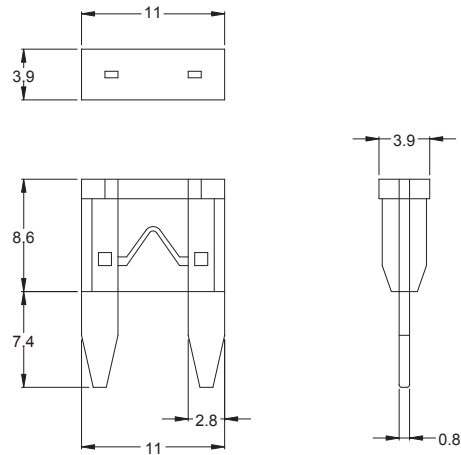


RoHS

Part No. **1503** series



- Fast Acting, Low Voltage For Up To 32V DC
- Material: * Body: Plastic
* Metal: Zinc Alloy
- Standard: According To SAE J2077
- To Permit More Fuses In The Same Amount Of Space
- Fuses Are Color-Coded For Easy Amperage Identification



Scale: mm

Specifications

Opening Time / Pre-arcing Time:

In	1.1 In	1.35 In		2.0 In		3.5 In		6.0 In	
2-35A	>100 Hours	Min.	Max.	Min.	Max.	Min.	Max.	Min.	Max.
		0.75 s	1800 s	0.15 s	5 s	0.04 s	0.5 s	0.02 s	0.1 s

Interruption Ratings: 1000 Amperes @32VDC

Ordering Information:

Part Number	Ampere (A)	Voltage (VDC)	Body Color
15031200200	2 A	32 V	● Gray
15031300200	3 A	32 V	● Violet
15031400200	4 A	32 V	● Pink
15031500200	5 A	32 V	● Tan
15031750200	7.5 A	32 V	● Brown
15032100200	10 A	32 V	● Red
15032150200	15 A	32 V	● Blue
15032200200	20 A	32 V	● Yellow
15032250200	25 A	32 V	○ Natural
15032300200	30 A	32 V	● Green
15032350200	35 A	32 V	● Purple