



RoHS

Part No. 1 3 4 2 series

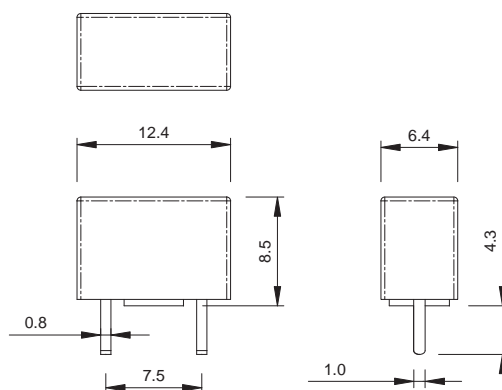
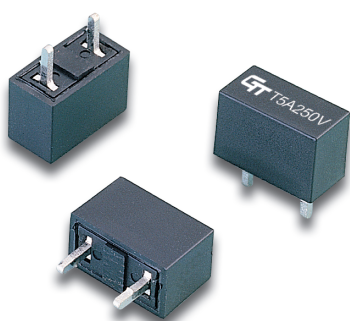
P.C. Board Type



- Slow Blow (T), Surge Withstand
- Size: 12(L) x 6(W) x 8(H) mm
- Voltage: 250V and Less
- Material: * Insulating Body: Fiberglass Reinforced Plastic, UL94V0 Flame Resistant
- * Element: Silver Alloy
- * Pin: Copper With Tin Plated, 0.8mm Thickness
- Option: Gold or Silver Plated Available Upon Request

- Ampere Rating: 50mA~20A
- Standard: UL 248-14

- Direct Soldering To P.C. Board
- Shock Safe Casing
- High Vibration Resistant
- Application: TV, VCR, Monitor, Adapter, Communication Equipments, Protection and Safety For All Other Small Equipment
- Replace Conventional Cartridge Fuses
- Low Internal Resistant
- Designed And Patented By GLORYTECH



Scale: mm

Specifications

Opening Time / Pre-arcing Time:

In	1.0 In	1.35 In	2.0 In	
50mA-20A	Carry	Max. 1 Hr	Min. 3 sec	Max. 120 sec

Ordering Information:

Part Number	Ampere (A)	Voltage (V)	Voltage Drop Max. (mV)	Breaking Capacity (AC)	I ² t Min. (A ² s)	CAIUS®
13420050440	50 mA	250 V	1300	500A 250V	0.008	Pending
13420060440	60 mA	250 V	1250	500A 250V	0.014	Pending
13420063440	63 mA	250 V	1200	500A 250V	0.016	Pending
13420080440	80 mA	250 V	1100	500A 250V	0.019	Pending
13420100440	100 mA	250 V	1000	500A 250V	0.038	Pending
13420125440	125 mA	250 V	900	500A 250V	0.066	Pending
13420150440	150 mA	250 V	850	500A 250V	0.1	Pending
13420160440	160 mA	250 V	800	500A 250V	0.12	Pending
13420200440	200 mA	250 V	600	500A 250V	0.18	Pending
13420250440	250 mA	250 V	550	500A 250V	0.216	Pending
13420300440	300 mA	250 V	400	500A 250V	0.36	Pending
13420315440	315 mA	250 V	350	500A 250V	0.39	Pending
13420350440	350 mA	250 V	320	500A 250V	0.49	Pending
13420400440	400 mA	250 V	300	500A 250V	0.65	Pending
13420500440	500 mA	250 V	250	500A 250V	1.16	Pending
13420600440	600 mA	250 V	220	500A 250V	1.75	Pending
13420630440	630 mA	250 V	215	500A 250V	1.9	Pending
13420700440	700 mA	250 V	195	500A 250V	2.45	Pending
13420750440	750 mA	250 V	195	500A 250V	2.95	Pending
13420800440	800 mA	250 V	190	500A 250V	3.45	Pending
13421100440	1 A	250 V	180	500A 250V	5.64	Pending
13421125440	1.25 A	250 V	170	500A 250V	9.8	Pending
13421150440	1.5 A	250 V	160	500A 250V	15	Pending
13421160440	1.6 A	250 V	150	500A 250V	18	Pending
13421200440	2 A	250 V	140	500A 250V	30	Pending
13421250440	2.5 A	250 V	130	500A 250V	50	Pending
13421300440	3 A	250 V	125	500A 250V	77	Pending
13421315440	3.15 A	250 V	120	500A 250V	90	Pending
13421350440	3.5 A	250 V	120	500A 250V	110	Pending
13421400440	4 A	250 V	115	500A 250V	148	Pending
13421500440	5 A	250 V	110	500A 250V	267	Pending
13421600440	6 A	250 V	110	500A 250V	380	Pending
13421630440	6.3 A	250 V	105	500A 250V	430	Pending
13421700440	7 A	250 V	105	500A 250V	464	Pending
13421750440	7.5 A	250 V	100	500A 250V	500	Pending
13421800440	8 A	250 V	100	500A 250V	610	Pending
13422100440	10 A	250 V	90	500A 250V	1000	Pending
13422120440	12 A	250 V	90	500A 250V	1500	Pending
13422150440	15 A	250 V	70	500A 250V	2450	Pending
13422160440	16 A	250 V	60	500A 250V	2950	Pending
13422200440	20 A	250 V	60	500A 250V	4000	Pending