



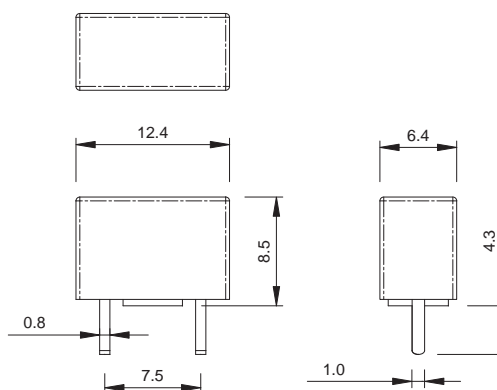
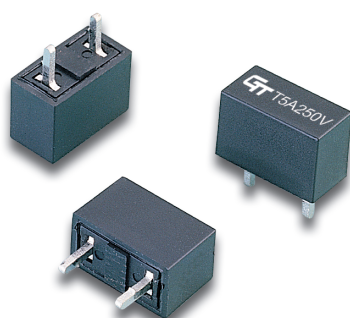
RoHS

Part No. 1 3 4 1 series

P.C. Board Type



- Slow Blow (T), Surge Withstand
 - Size: 12(L) x 6(W) x 8(H) mm
 - Voltage: 250V and Less
 - Material: * Insulating Body: Fiberglass Reinforced Plastic, UL94V0 Flame Resistant
 - * Element: Silver Alloy
 - * Pin: Copper With Tin Plated, 0.8mm Thickness
 - Option: Gold or Silver Plated Available Upon Request
 - Ampere Rating: 50mA~20A
 - Standard: IEC 60127-4(UMF)
- Direct Soldering To P.C. Board Low Internal Resistant
 Shock Safe Casing High Vibration Resistant
 Application: TV, VCR, Monitor, Adapter, Communication Equipments, Protection and Safety For All Other Small Equipment
 Replace Conventional Cartridge Fuses Designed And Patented By GLORYTECH



Scale: mm

Specifications

Opening Time / Pre-arcing Time:

In	1.0 In	1.25 In	2.0 In	10 In
50mA-20A	Carry	Min. 60 min.	Max. 120 s	Min. 10 ms Max. 100 ms

Ordering Information:

Part Number	Ampere (A)	Voltage (V)	Voltage Drop Max. (mV)	Breaking Capacity (AC)	Pt Min. (A ² s)	MS	VDE	B.E.	UL	PS
13410050440	50 mA	250 V	1000	500A 250V	0.013					Pending
13410063440	63 mA	250 V	800	500A 250V	0.021					Pending
13410080440	80 mA	250 V	650	500A 250V	0.032					Pending
13410100440	100 mA	250 V	500	500A 250V	0.05					Pending
13410125440	125 mA	250 V	450	500A 250V	0.78					Pending
13410160440	160 mA	250 V	400	500A 250V	0.128					Pending
13410200440	200 mA	250 V	300	500A 250V	0.2					Pending
13410250440	250 mA	250 V	220	500A 250V	0.312					Pending
13410315440	315 mA	250 V	210	500A 250V	0.422					Pending
13410400440	400 mA	250 V	200	500A 250V	0.96					Pending
13410500440	500 mA	250 V	190	500A 250V	1.4					Pending
13410630440	630 mA	250 V	180	500A 250V	2.6					Pending
13410800440	800 mA	250 V	160	500A 250V	2.9					Pending
13411100440	1 A	250 V	140	500A 250V	6.95					Pending
13411125440	1.25 A	250 V	130	500A 250V	10					Pending
13411160440	1.6 A	250 V	120	500A 250V	15					Pending
13411200440	2 A	250 V	100	500A 250V	20					Pending
13411250440	2.5 A	250 V	100	500A 250V	28					Pending
13411315440	3.15 A	250 V	100	500A 250V	39					Pending
13411400440	4 A	250 V	100	500A 250V	70					Pending
13411500440	5 A	250 V	100	500A 250V	130					Pending
13411630440	6.3 A	250 V	100	500A 250V	198					Pending
13411700440	7 A	250 V	90	500A 250V	245					Pending
13411800440	8 A	250 V	90	500A 250V	320					Pending
13412100440	10 A	250 V	90	500A 250V	500					Pending
13412120440	12 A	250 V	90	500A 250V	720					Pending
13412150440	15 A	250 V	90	500A 250V	1150					Pending
13412160440	16 A	250 V	85	500A 250V	1300					Pending
13412200440	20 A	250 V	85	500A 250V	2100					Pending