

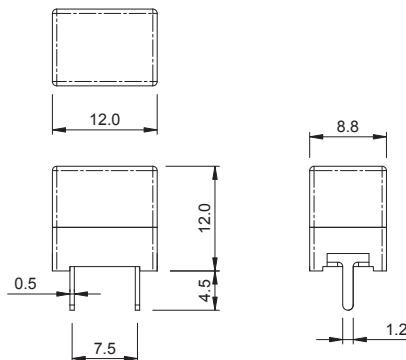
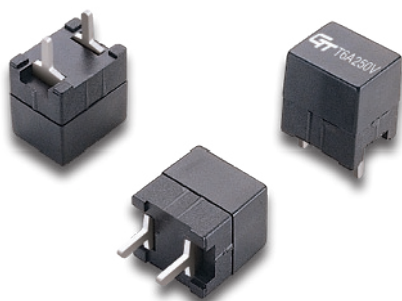


Part No. **1326** series

P.C. Board Type



- Slow Blow (T), Surge Withstand
- Size: 12(L) x 9(W) x 12(H) mm
- Voltage: 250V and Less
- Material: \* Insulating Body: Fiberglass Reinforced Plastic, UL94V0 Flame Resistant
- \* Element: Silver Alloy
- \* Pin: Copper With Tin Plated, 0.5mm Thickness
- Option: Gold or Silver Plated Available Upon Request
- Direct Soldering To P.C. Board
- Shock Safe Casing
- High Vibration Resistant
- Application: TV, VCR, Monitor, Adapter, Communication Equipments, Protection and Safety For All Other Small Equipment
- Replace Conventional Cartridge Fuses
- Ampere Rating: 50mA~30A
- Standard: UL 248-14
- Low Internal Resistant
- Designed And Patented By **GLORYTECH**



Scale: mm

## Specifications

### Opening Time / Pre-arcing Time:

In	1.0 In	1.35 In	2.0 In	
50mA-30A	Carry	Max. 1 Hr	Min. 3 sec	Max. 120 sec

### Ordering Information:

Part Number	Ampere (A)	Voltage (V)	Voltage Drop Max. (mV)	Breaking Capacity (AC)	I <sup>2</sup> t Min. (A <sup>2</sup> s)
13260050440	50 mA	250 V	1300	500A 250V	0.008
13260060440	60 mA	250 V	1250	500A 250V	0.014
13260063440	63 mA	250 V	1200	500A 250V	0.016
13260080440	80 mA	250 V	1100	500A 250V	0.019
13260100440	100 mA	250 V	1000	500A 250V	0.038
13260125440	125 mA	250 V	900	500A 250V	0.066
13260150440	150 mA	250 V	850	500A 250V	0.1
13260160440	160 mA	250 V	800	500A 250V	0.12
13260200440	200 mA	250 V	600	500A 250V	0.18
13260250440	250 mA	250 V	550	500A 250V	0.216
13260300440	300 mA	250 V	400	500A 250V	0.36
13260315440	315 mA	250 V	350	500A 250V	0.39
13260350440	350 mA	250 V	320	500A 250V	0.49
13260400440	400 mA	250 V	300	500A 250V	0.65
13260500440	500 mA	250 V	250	500A 250V	1.16
13260600440	600 mA	250 V	220	500A 250V	1.75
13260630440	630 mA	250 V	215	500A 250V	1.9
13260700440	700 mA	250 V	195	500A 250V	2.45
13260750440	750 mA	250 V	195	500A 250V	2.95
13260800440	800 mA	250 V	190	500A 250V	3.45
13261100440	1 A	250 V	180	500A 250V	5.64
13261125440	1.25 A	250 V	170	500A 250V	9.8
13261150440	1.5 A	250 V	160	500A 250V	15
13261160440	1.6 A	250 V	150	500A 250V	18
13261200440	2 A	250 V	140	500A 250V	30
13261250440	2.5 A	250 V	130	500A 250V	50
13261300440	3 A	250 V	125	500A 250V	77
13261315440	3.15 A	250 V	120	500A 250V	90
13261350440	3.5 A	250 V	120	500A 250V	110
13261400440	4 A	250 V	115	500A 250V	148
13261500440	5 A	250 V	110	500A 250V	267
13261600440	6 A	250 V	110	500A 250V	380
13261630440	6.3 A	250 V	105	500A 250V	430
13261700440	7 A	250 V	105	500A 250V	464
13261750440	7.5 A	250 V	100	500A 250V	500
13261800440	8 A	250 V	100	500A 250V	610
13262100440	10 A	250 V	90	500A 250V	1000
13262120440	12 A	250 V	90	500A 250V	1500
13262150440	15 A	250 V	70	500A 250V	2450
13262160440	16 A	250 V	60	500A 250V	2950
13262200440	20 A	250 V	60	500A 250V	4000
13262250440	25 A	250 V	50	500A 250V	6250
13262300440	30 A	250 V	50	500A 250V	9000